

## HV Mobile Belt Drive Fan

Installation and Maintenance Instructions.

**THESE INSTRUCTIONS MUST BE READ FULLY BEFORE COMMENCING INSTALLATION.**

**Owner / installer:** The life of this apparatus and its efficiency will be increased if its use and maintenance is carried out in accordance with these instructions and current statutory requirements. The installation and initial adjustments should be carried out by a qualified and competent technician. Hydor Limited should be consulted before substituting or fitting parts from another manufacturer. It is the responsibility of the installer to verify that the installation is in accordance with all current statutory requirements and the owner is given the current User's Manual.

**Any modifications to the fan or its installation, even the smallest modification, change or elimination of security components or pieces that influence the efficiency or loss of ventilation, will result in the CE Certification and Hydor's warranty being cancelled.**

Please take note of the following symbols used within this document:



**Warning:** Hazards associated with electric current and high voltages



**Important:** Important information

Hydor's policy is one of continual improvement and the right to change a specification at any time without notice is reserved. Whilst every care has been taken to ensure that the contents of this document are correct at time of publication, Hydor shall be under no liability whatsoever in respect of such contents.

Hydor cannot guarantee the operation of any equipment unless all documented instructions are complied with, without variation.

Hydor is a registered trademark of EG Agri Ltd and is a member of Elta Group. All other trademarks, trade names or company names referenced herein are the property of their respective owners.

## **1. General**

- 1.1 A range of HV Belt Drive units  
HV800  
HV1000  
HV1250 (1.1kW)
- 1.2 Incorporating efficient IE2 and IE3 motors/impellers, galvanised body with stainless steel blades.
- 1.3 Service items include:  
Replacement belt  
Replacement motor pulley
- 1.4 Details of the HV Belt Drive supplied are given on the nameplate attached to the side of the unit; if assistance is required please quote the model and serial number.

## **2. Health and Safety**

- 2.1 These instructions cover only the Hydor product and do not include the supply or installation of any safety equipment that may be required e.g. adequate guarding or protection from rotating parts and proper electrical isolation.
- 2.2 Any declarations made by Hydor about product installation and safety are dependent on the equipment being used within installations which themselves meet the requirements of the Standards and Directives of your region.
- 2.3 This product is not intended to be operated by young children or infirm persons unless they have been adequately supervised by a responsible person to ensure that they can use the product safely. Young children should be supervised to ensure that they do not play with the appliance.
- 2.4 Adequate site plant and lifting equipment should be made available to lift and position the HV Belt Drive.
- 2.5 The HV Belt Drive is intended only for the transportation of **clean** air mixtures. Use in potentially hazardous or explosive areas or for transportation of gas, mist, vapours or their mixtures are **NOT** permissible. The transportation of solid materials or similar materials in a transport media is **NOT** permissible.
- 2.6 Misuse can lead to physical injury or damage to the fan or installation.



**All electrical installations must be carried out by suitably qualified and competent personnel in accordance with local regulations.**

## **3. Delivery**

- 3.1 All HV Belt Drive units are tested and inspected prior to despatch and leave the factory in good condition. Upon receipt, it should be examined for visible damage, ensure that the impeller is free to rotate and that all parts listed on the delivery note are present.

- 3.2 Any damage or shortages should be notified to the carrier immediately.
- 3.3 Hydor cannot accept any responsibility for damage sustained whilst unloading from the carrier, or subsequent damage on Site.
- 3.4 If there are any queries concerning the fan unit, Hydor should be contacted prior to installation.

#### **4. Electrical Connection**

- 4.1 The HV Belt Drive mobile is supplied with a length of flex terminated into a standard UK 3 pin plug. The circuit that the unit is connected too should feature suitable protection to protect the motor in the event of an overload.

#### **Speed Control**

- 4.2 Speed controlled versions of the unit feature a 3 position switch to operate the unit.

#### **Break In Period**

- 4.3 The unit uses a belt to drive the fan from the motor. The belt tension should be checked after the first 2-3 days use (48-72 hours usage) because it will naturally stretch to its final length during this time. See maintenance section below for details on how to adjust the belt tension.

**IMPORTANT:** Failure to adjust the belt tension after break in will lead to a reduced life of your fan through pulley wear, motor wear and premature failure of the belt. This is not covered under warranty.

**WARNING:** The fan(s) must be isolated from the power supply during installation and maintenance.

#### **5. Troubleshooting**

- 5.1 If the fan is under-performing check the following:-  
Belt tightness (see section 6)
- 5.2 If the fan is making unwanted noises check the following:-  
Belt tightness (see section 6)  
That the unit is square on even ground
- 5.3 If the belt continues to slip after tightening, it is possible the motor pulley has become damaged. In this instance please contact your distributor for a replacement pulley.



**IMPORTANT:** Most problems with the unit can be avoided by maintaining the belt tension.

## 6. Maintenance



**WARNING:** The fan(s) must be isolated from the power supply during installation and maintenance.

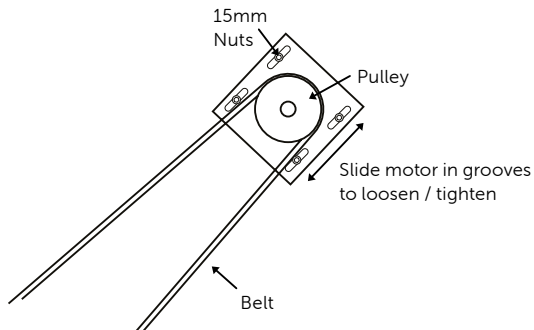
- 6.1 Only a suitably qualified and competent person may carry out maintenance after the electrical supply has been isolated.

### Internal Access

- 6.2 To access the internals of the fan, an 8mm hex head socket should be used to remove the fixings around the wire guard. Removing the wire guard is expected for maintenance and will not void your warranty.
- 6.3 Inspection of the fan at least once every 6 months is recommended to ensure that the motor, fan blades, and supporting guards, are clean. Any build-up of dust and deposits on the blades, motor or guards should be removed using a non-abrasive cleaner. Failure to keep the unit clean can lead to overheating and damage which is not covered by the warranty.
- 6.4 All fastenings should be checked for tightness. In addition, all rotating items should be checked.
- 6.5 Bearings are of the "sealed for life" variety and will not need a detail inspection.

### Belt Tension

- 6.6 Belt tension should be checked after the first 2-3 days use (48-72 hours usage) and then periodically depending on use.
- 6.7 To check the tension, squeeze the belt with your hand, there should be between 15-20mm movement. If more or less, the tension needs adjusting. Please note, over tensioning will dramatically affect the longevity of the unit.
- 6.8 To tension the belt, loosen but not remove the four 15mm hex head nuts holding the motor in place, slide the motor until the required tension is found and then re tighten.



## **Technical Support**

Contact your distributor for technical support on this product.

Do not call the Hydor technical support department unless your distributor has first given their advice and attempted to rectify the issue.





## **Guarantee**

Hydor or its agents will, within a period of 1 year from the date of dispatch from their works, repair or, at its option, replace any goods, which are proven to have defects as a result of defective materials or workmanship.

The goods MUST be returned to Hydor, carriage paid, for examination. A Hydor Engineer or appointed person should attend to carry out any work, unless otherwise agreed. Hydor will not accept accounts for workmanship by others.

Please see the Hydor warranty booklet for full details on submitting a warranty claim.

Any modifications to the system or its installation, even the smallest modification, change or elimination of security components or pieces that influence the efficiency or loss of ventilation, will result in the CE Certification and Hydor's warranty being cancelled.

EG Agri Ltd

## **Hydor**

Unit 8, Parkers Close, Downton Business Centre,  
Downton, Salisbury, Wiltshire, SP5 3RB, UK

Tel: +44 (0) 1725 511422

Email: [info@hydor.co.uk](mailto:info@hydor.co.uk)

Web: [www.hydor.co.uk](http://www.hydor.co.uk)

## **idealair group**

Unit 1, Building 1, Sydney Corporate Park,  
85 O'Riordan Street, Alexandria NSW 2015

Tel: +61 (02) 8073 3310

Fax: +61 (02) 8073 3320

Email: [info@idealairgroup.com.au](mailto:info@idealairgroup.com.au)

## **AMS**

11 Ingrid Road, Montague Gardens,  
7442 Cape Town, Western Cape

Tel: +27 (0) 21 552 1077

Fax: +27 (0) 21 552 2797

Inst Issue 2: 08.21