

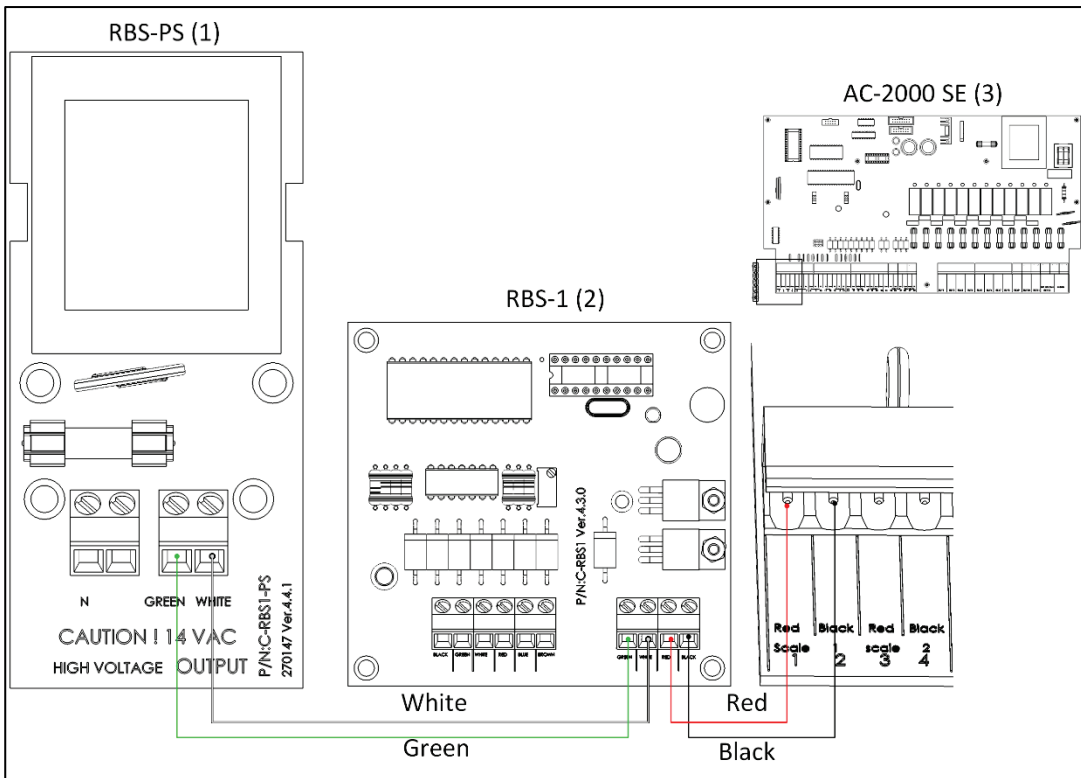
RBS-1 Bird Scale Wiring



Wire the RBS-1 to:

- Power supply
- AC-2000 SE or AC-2000 3G Controller

NOTE These controllers supports up to two (2) RBS-1 scales.



12 Relay Controller

	Part Number	Description
1	907-99-00002	RBS1-POU-POWER SUPPLY CARD 115Volt (RBS1-PS-V1)
	907-99-00003	RBS1-POU-POWER SUPPLY CARD 230Volt (RBS1-PS-V2)
2	907-99-00001	RBS1-POU-CARD (RBS1)
3	901-99-00014	AC2000-SE-POU-MAIN BOARD 24Volt (AC2000-SE-V0)
	901-99-00015	AC2000-SE-POU-MAIN BOARD 115Volt (AC2000-SE-V1)
	901-99-00016	AC2000-SE-POU-MAIN BOARD 230Volt (AC2000-SE-V2)