

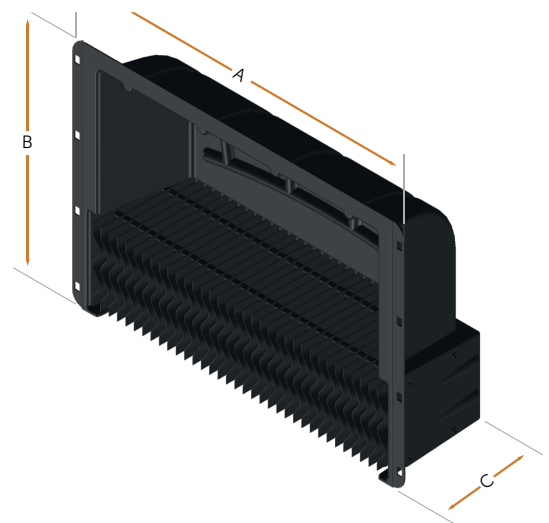
TPI 145 VFG Inlet Wind Hood



The TPI-Polytechnik wind hood ensures that the wind does not affect the function of the air inlets. It guarantees equal and constant air in-flow.

Dimensions

Model Number	A	B	C
TPI-950 (145/135 series)	843	631	255
TPI-951 (3000/2800 series)	1100	732	368
TPI-952 (4000 series)	976	939	618
TPI-954 (1800 series)	815	770	413



We are a registered TPI distributor, please get in touch for advice and information to help you with your project and enable you to get the best from your livestock.

Dimensions in mm.

ISSUE 1. SEP 2019.