

HV Wall Cowl



Hardy wall cowl to protect your HV Belt drive fan from inclement weather and reduce external light ingress.

Features & Benefits

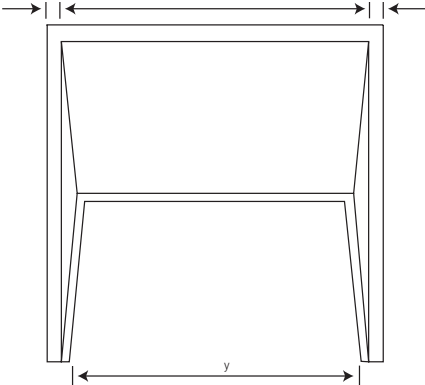
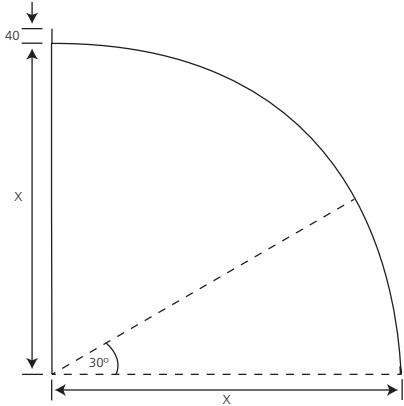
- Available in galvanised steel or Aluzinc
- Dispatched in flat-pack to reduce carriage costs
- Long-lasting, robust and strong construction to withstand external conditions
- Optional mesh to prevent birds from entering available
- Available for the complete range of HV Belt Drive Fans or other any other application on demand

HV Wall Cowl

Dimensions

Model Number	X - Wall Aperture	Y - Outlet
HVWC800	1000 x 1000	900 x 1000
HVWC1000	1200 x 1200	1100 x 1200
HVWC1250	1440 x 1440	1290 x 1440
HVWC2000	2000 x 2000	1700 x 2000

Dimensions in mm.



Wall Cowls can be supplied with bird mesh as an extra.

ISSUE 2. SEP 2019.