

# SANO IPIV WALL H

INTELLIGENT WALL MOUNTED POSITIVE INPUT VENTILATION UNIT



WITH **ECO-LoFlo** TECHNOLOGY &  
INTEGRAL MULTICORE HEATER

RESIDENTIAL PRODUCT INFORMATION

# SANO IPIV WALL H

INTELLIGENT WALL MOUNTED POSITIVE INPUT VENTILATION UNIT



## APPLICATION

The **SANO Intelligent PIV WALL H** is a wall mounted ultra-quiet, low energy, low maintenance, home ventilation unit.

The unit is designed to help ventilate a home using the well-established **Positive Input Ventilation (PIV)** principle.

PIV units have been preventing and curing condensation dampness related problems in homes for decades. They are also used to control other indoor air pollutants and have even proven to be an effective means for reducing Radon gas in some properties.

Elta Fans' range of **SANO Intelligent PIV** units, with their unique **ECO-LoFlo** energy and comfort optimisation airflow control technology, represents a 'step change' in PIV technology.

**CONDENSATION CONTROL,  
IMPROVED INDOOR AIR QUALITY  
& RADON CONTROL FOR HOMES**

**ULTRA QUIET  
VERY LOW RUNNING COSTS  
WIDE OPERATING RANGE  
VARIOUS CONTROL OPTIONS**

## OPERATION

External air is drawn into the **SANO Intelligent PIV WALL H unit** and passes through a filter before entering the home. The filtered air is typically supplied at ceiling level in a location central to the home i.e. the hallway.

Integral controls allow the **SANO Intelligent PIV WALL H unit** to be set to suit the individual requirements of the home. Airflow from the unit to the home is automatically regulated via integral temperature and humidity sensors which optimise the energy benefit of the unit while ensuring that sufficient air is always supplied to help control moisture and other pollutant levels in the home.

The **SANO Intelligent PIV WALL H** is fitted with an intelligent multicore heater that tempers incoming air when required. The temperature of the incoming air is selectable between 10°C and 20°C and the heater will always try and achieve this using the least amount of energy possible. The heater works in conjunction with our industry unique **ECO-LoFlo** technology to provide the best comfort level for the user in the most energy efficient way.

## FEATURES / BENEFITS

**Unique Design** Allowing for simple multi handed configuration.

**Discreet** Unit appearance designed to blend well with any home.

**Low energy** Ultra-low quiet fan/motor assembly.

**Robust** Fan casing construction built to last.

**Run Monitor** Records time power supplied to unit.

**Low maintenance** Very large G4 grade filter.

**Integral, multi-functional controls** with wide airflow and temperature settings which allow the unit to be fine-tuned to suit the individual requirements of a home and its occupants. These controls include:

- 8 unit settings to choose from to suit the size, layout, thermal properties and moisture production in the home.
- Heat Recovery mode function with adjustable trigger temperature setting and adjustable increased air flow setting.
- Summer mode function with adjustable trigger temperature setting with adjustable decreased airflow setting.
- ECO-LoFlo function
- Override Boost mode to operate the unit at its maximum airflow by means of a user switch.

**Warranty** Each **SANO IPIV WALL H** has a 5 Year Warranty as standard.\*



## PERFORMANCE DATA

### Unit Setting

The unit setting is selected by the installer to suit the size, layout, thermal properties and moisture production in the home.

Unit Setting	Spigot Outlet (5m duct 2x bends)		Grille Outlet	
	Flow Rate	Watts	Flow Rate	Watts
1	11	3.6	11	4.4
2	15	4.6	15	4.8
3	18	6.4	18	6.8
4	22	8.7	23	9.1
5	26	11.8	26	11.7
6	29	15.6	-	-

\*The power consumption shown is Normal mode and is for the PIV running without the heater, these will increase significantly when the heater is enabled. \*\*Filter change interval is indicative, high pollution and use of Override Boost mode will affect filter life.

## MODES

**Normal** The unit will run in this mode for the vast majority of its operational time until the unit's integral temperature sensor switches it to Heat Recovery or Standby mode or the Override Boost mode (if connected via a suitable switch) is activated by the occupants.

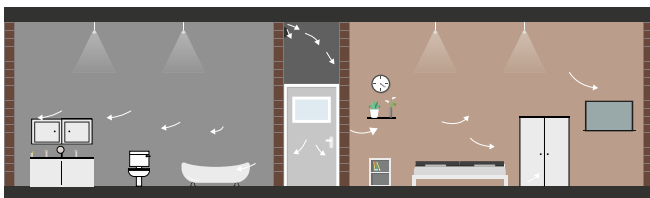
**Eco-LoFlo** The unit constantly monitors the incoming air's temperature and moisture content. When the incoming air is below 10°C the unit checks its moisture content to see how dry it is as less drier air is needed to be supplied to the home to control internal humidity levels. The unit's Normal airflow is reduced automatically in proportion to its moisture content under this function, however, to ensure minimum ventilation rates are maintained, a minimum of 50% of Normal airflow is always provided. This unique control function can not only provide improved comfort levels for occupants, but can also significantly reduce the demand on their heating.

**Heat Recovery** The unit will increase in speed when the supply air temperature reaches the Heat Recovery trigger temperature to supply warm air into the home.

**Summer Mode** The unit will decrease in speed when the supply air temperature reaches the Summer Mode trigger temperature. This can save energy, increase the service intervals and prevent undesirable warm air being introduced unnecessarily into the home e.g. during hot summer days. This function can be disabled if continuous running is required e.g. radon gas control.

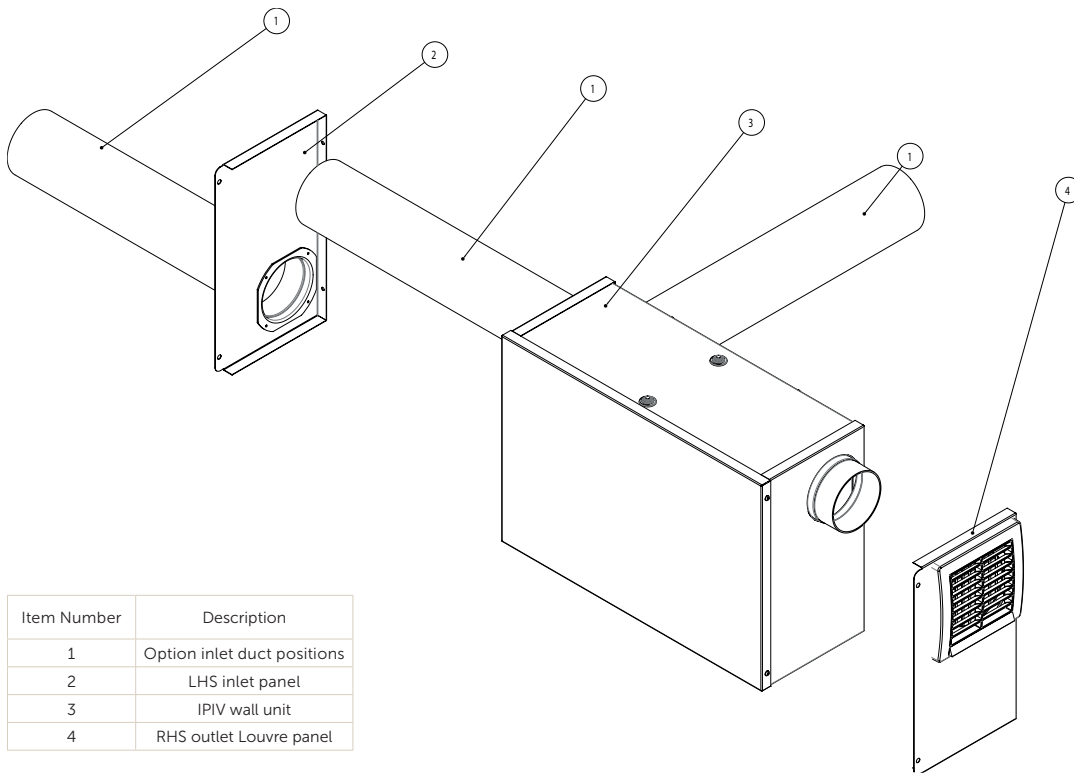
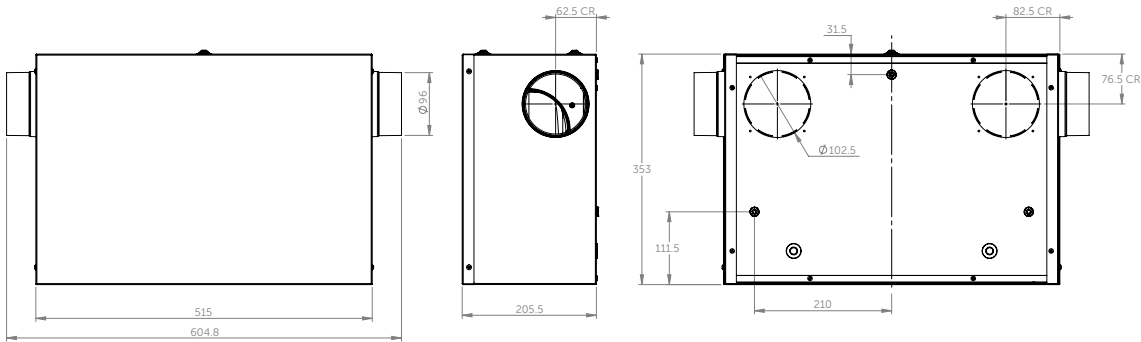
**Override Boost** The unit's automatic controls can be overridden to operate the unit at its maximum airflow by means of a user switch hard wired to the relevant connections within the unit.

## INSTALLATION TYPES



## DIMENSIONAL DATA

Dimensions in mm



Item Number	Description
1	Option inlet duct positions
2	LHS inlet panel
3	IPIV wall unit
4	RHS outlet Louvre panel

Inlet options from left hand side. Outlet Louvre accessory shown right hand side.

**TEL:** +44 (0) 1384 275800, **FAX:** +44 (0) 1384 275810, **E-MAIL:** RESIDENTIAL@ELTAFANS.CO.UK  
46 THIRD AVENUE, PENNETT TRADING ESTATE, KINGSWINFORM, WEST MIDLANDS, DY6 7US, UK

[WWW.HOMEVENT.CO.UK](http://WWW.HOMEVENT.CO.UK)

\*First year of warranty covers parts and labour. Following this period the warranty covers replacement parts only. Warranty is subject to inspection and maintenance having been carried out in accordance with our literature and terms and conditions of sale. Proof of purchase, periodic inspection and maintenance will be required in the event of any warranty claim.

Elta Fans Limited has a policy of continuous product development and improvement and therefore reserves the right to supply products which may differ from those illustrated and described in this publication. Confirmation of dimensions and data will be supplied on request.

EFR. IPIV WALL H. SEP 2018.

A MEMBER OF ELTA GROUP