

hydor

HV Wall Mounted Belt Drive Fan



The Hydor HV Wall Mounted Belt Drive shuttered fan unit is specifically designed to ventilate agricultural buildings and support the minimum ventilation requirements of livestock. The range provides high air output combined with minimal energy consumption.

Constructed from galvanised steel with a specially designed stainless steel impeller, these fans are extremely hard wearing and robust. The drive mechanism includes sealed for life maintenance-free ball bearings, which means low noise and vibration levels, perfect for use in livestock ventilation.

The HV range is supplied fully assembled with internal and external safety guards.

Features & Benefits

- Extensively tested in agriculture
- Features a centrifugally operated backdraught shutter on the external side to retain building heat and mesh safety guard on the inside.
- Additional Light baffle available to control internal Lux levels
- IP55
- Up to 50°C operating temperature
- All components available as spares for minimum downtime
- ErP compliant

HV Wall Mounted Belt Drive Fan

Single Phase

220V to 240V / 50Hz

Model Number	Speed (r/min)	Airflow m ³ /s @ Static Pressure (Pa)						Power (kW)	FLC (Amps)	Start (Amps)	dBA @ 3m
		0	20	40	60	80	100				
HV800	630	4.588	4.091	3.589	2.840	-	-	0.75	4.5	14.3	58
HV1000	520	7.096	6.447	5.550	4.296	3.139	1.827	0.75	5.4	14.9	59
HV1250	400	11.002	9.578	8.030	6.190	4.028	-	1.1	7.2	25.7	60
HV1500	360	12.828	11.360	9.503	6.815	-	-	1.5	9.4	33.0	61

Measurement category used to determine energy efficiency: A. FLC Amps @ 230V / 1Ph / 50Hz.

Three Phase

400V / 50Hz

Model Number	Speed (r/min)	Airflow m ³ /s @ Static Pressure (Pa)						Power (kW)	FLC (Amps)	Start (Amps)	dBA @ 3m
		0	20	40	60	80	100				
HV800	630	4.588	4.091	3.589	2.840	-	-	0.75	2.0	5.9	58
HV1000	520	7.096	6.447	5.550	4.296	3.139	1.827	0.75	2.6	7.8	59
HV1250	400	11.002	9.578	8.030	6.190	4.028	-	1.1	2.9	8.7	60
HV1500	360	12.828	11.360	9.503	6.815	-	-	1.5	3.6	10.8	61

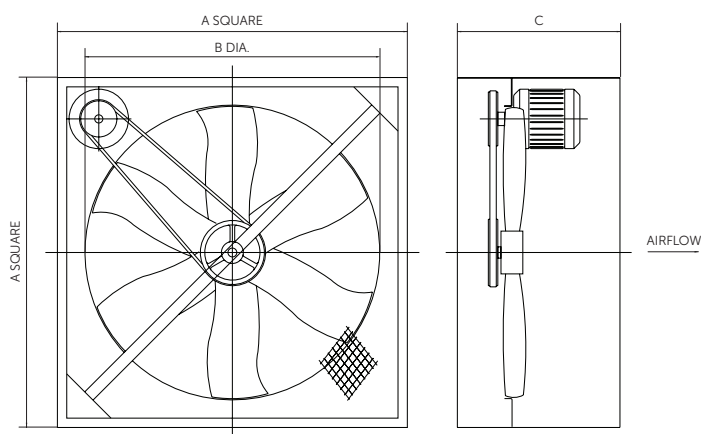
Measurement category used to determine energy efficiency: A. FLC Amps @ 400V / 3Ph / 50Hz.

Note: Motor electrical data is approximate, as it varies from one motor manufacturer to another

HV Wall Mounted Belt Drive Fan

Dimensions

Model Number	A	B	C	Depth inc Louvre & Guard	Weight inc Louvre (kg)
HV800	960	800	330	470	44
HV1000	1150	1000	330	470	50
HV1250	1380	1250	330	470	70
HV1500	1495	1350	430	500	85



Dimensions in mm.

HV Wall Mounted Belt Drive Fan

Accessories

Model Number	1Ø 3 Step Speed Controller	1Ø DOL Starter	3Ø DOL Starter	Blackout Filter	HV Wall Cowl	Fixed Intake Weather Louvre with Guard		
						Mill	Paint	Watertight
HV800	FC0149-TC110HV	004828	003644	000295	HVWC800	003316	003320	004625
HV1000	FC0149-TC110HV	004828	004726	000301	HVWC1000	003317	003321	004626
HV1250	FC0149-TC110HV	004831	003645	000310	HVWC1250	003318	003322	004627
HV1500	-	004833	004296	-	HVWC1500	-	-	-

ISSUE 6. MAR 2020.