

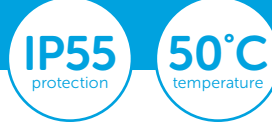
features & benefits

High efficiency belt drive fan

Extracts stale and humid air from the building
 Fitted with a mesh safety guard on both sides
 3 step speed switch for increased energy
 Fitted with lockable wheels and handles
 Single phase 220V to 240V 50Hz

HVM

Portable Belt Drive Fan



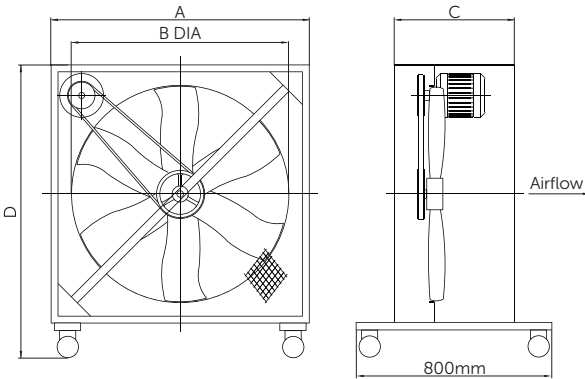
SINGLE Phase

220V to 240V / 50Hz

	Speed r/min	Airflow m ³ /s @ Static Pressure Pa.					Motor Electrical Data			Sound Level (dBA @ 3m)	
		0	20	40	60	80	100	Power (W)	FL (Amps)		Start (Amps)
HVM800	630	4.588	4.091	3.589	2.840			750	4.5	14.3	58
HVM1000	520	7.096	6.447	5.550	4.296	3.139	1.827	750	5.4	14.9	59
HVM1250 (1.1 kW)	400	11.002	9.578	8.030	6.190	4.028		1100	7.2	25.7	60

*For 110V detail please contact Hydor

dimensional drawing



dimensions

	A	B	C	D	Weight (kg)
HVM800	925	800	383	1075	49
HVM1000	1125	1000	383	1275	64
HVM1250	1375	1250	416	1525	90

Dimensions in mm.