

## features & benefits

### Free standing air circulation fan

Ideal for industrial, commercial and agricultural applications

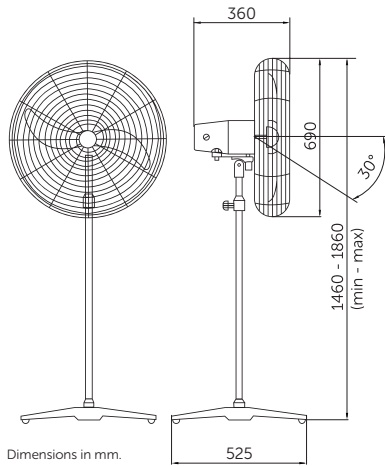
Adjustable height and airflow direction

3 speed settings

Black meshed guard for protection

Single phase 220V to 240V 50Hz

## dimensional drawing



# HPFA

## Pedestal Air Circulation Fan

90°  
turning arc

45°C  
operation



## product information

	HPFA 650		
	Low	Med	High
Speed (r/min)	890	1050	1380
Duty (m <sup>3</sup> /s)	1.83	2.83	3.83
Power (W)	130	140	170
Full Load Current (A)	0.56	0.62	0.80
Sound Level (dBA @ 3m)	46	50	59
Maximum Tilt (°)	30	30	30
Weight (kg)	23	23	23