

## features & benefits

### Centrifugal mounted ceiling fan

For apartments, hotels, bathroom, utility or kitchen

4 way clip in louvre (Easily removed for cleaning)

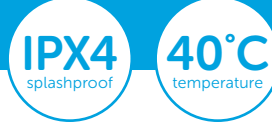
Adjustable run on timer between 1 - 32 minutes

Integral back-draught damper, prevents airflow back from outside

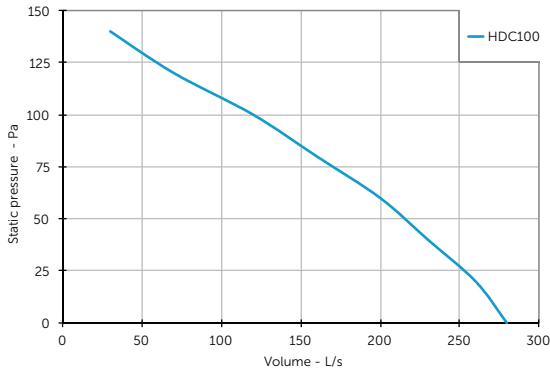
Single phase 220V to 240V 50Hz

# HDC

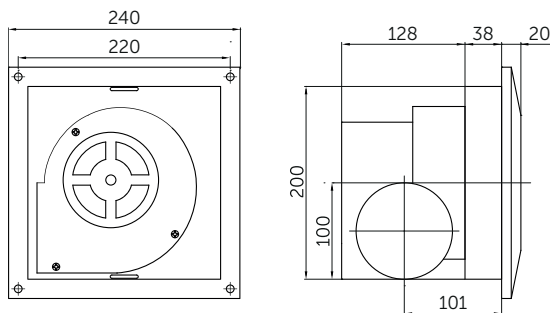
## Ceiling Fan



## curves



## dimensional drawing



Dimensions in mm.

## product information

	HDC
	100
Airflow (L/s) max	280
Air Pressure (Pa) max	200
Input Power (W) max	31
Sound Pressure (dBA @ 3m)	43
Weight (kg)	1.37

	100
Fixed Grille	HEG100
3m Flexible Aluminium Duct	HFD100X3
External Gravity Shutters	HES100
External Gravity Shutters - Complete with Fly Mesh	HES100F