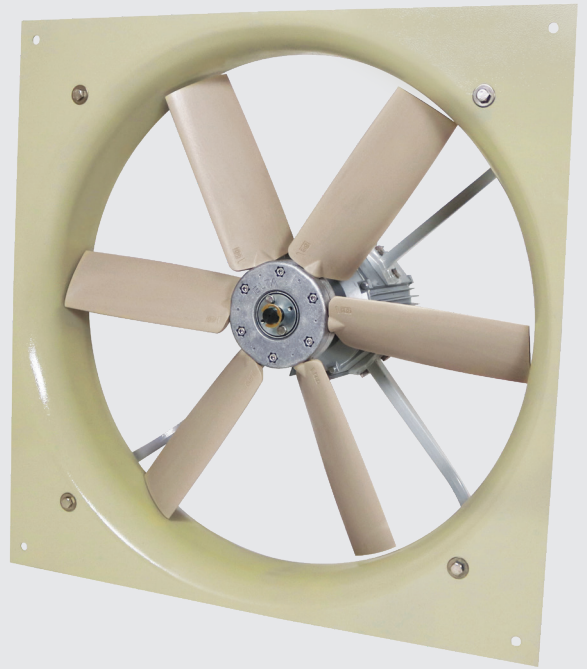


hydor

HEB Plate Fan



A high performing ErP compliant replacement plate fan for existing users of Hydor's previous HE plate fan products. The HEB provides a direct and fast replacement for existing HE fans.

The HEB offers an upgrade path for existing customers that have apertures/units built around the smaller legacy Hydor HE plate axial fan. Due to ErP legislation, spares for the HE fan units can no longer be offered from 1st Jan 2020.

The HEB uses the highly efficient ErP compliant HXP motor and impeller in a specially designed plate that uses the same dimensions and mounting points as the previous HE fan, allowing for fast and easy deployment.* The unit features a flat plate with no lip to allow for maximum compatibility when retrofitting to your existing aperture.

The HEB will also fit into HE sized Agri-Jet and Side Wall units with an additional adaptor bracket (available separately).

The HEB is not suitable for all speed-controlled applications, please contact Hydor for more information.

Features & Benefits

- Energy saving over existing HE units
- Increased airflow against existing HE units
- Direct replacement for existing standalone HE 630mm and 710mm units – plate size is identical and mounting holes line up for easy fitment*
- Direct replacement for existing HE Agri-Jet and Side Wall units with additional adaptor bracket (available separately)
- High-efficiency fan compatible with ErP
- New unit enables upgrade safety into the next 2 generations of fans for continued service, support and spares availability
- Designed to be compatible with existing wiring so no other changes are needed

*A fixing relocation will be required when replacing a HE760.

HEB Plate Fan

Single Phase

220V to 240V / 50Hz

Model Number	Speed (r/min)	Airflow m ³ /s @ Static Pressure (Pa)					Overall Eff. (%)	FMEG	Input (kW)	FLC (Amps)	dBA @ 3m
		0	25	50	75	100					
HEB63061#	924	3.365	3.163	2.934	2.677	2.355	37.0	N44	0.654	3.12	52
HEB71061#	913	3.982	3.675	3.294	2.784	-	32.6	N40	0.663	3.11	59

HEB710 replaces existing HE710 and HE760.

Three Phase

380V to 415V / 50Hz

Model Number	Speed (r/min)	Airflow m ³ /s @ Static Pressure (Pa)					Overall Eff. (%)	FMEG	Input (kW)	FLC (Amps)	dBA @ 3m
		0	25	50	75	100					
HEB63063#	912	3.323	3.010	2.689	2.301	-	36.6	N44	0.493	1.21	53
HXP63083#	688	2.233	1.826	1.296	-	-	29.7	N40	0.222	0.77	46
HEB71063#	862	4.498	4.138	3.678	3.117	-	35.4	N42	0.689	1.41	58

HEB710 replaces existing HE710 and HE760.

A airflow



B airflow



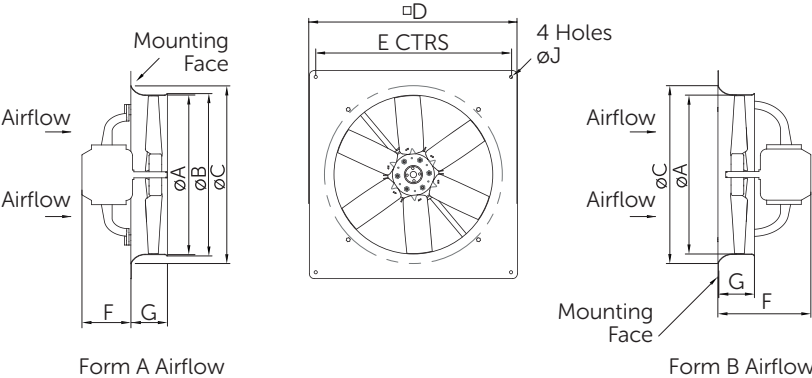
Data in accordance with ErP 327/2011 of the European Parliament. Measurement category used to determine energy efficiency: A. Single Phase: FLC Amps @ 230V / 1Ph / 50Hz. Three Phase: FLC Amps @ 400V / 3Ph / 50Hz. # Add A or B for airflow when ordering.

HEB Plate Fan

Dimensions

Model Number	A	B	C	D	E	F (A)	F (B)	G	J	Weight (kg)
HEB63061	630	647	700	711	660	169	328	125	10	30
HEB63063	630	647	700	711	660	169	328	125	10	30
HEB63083	630	647	700	711	660	167	326	125	10	30
HEB71061	710	725	765	800	724	177	341	130	10	30
HEB71063	710	725	765	800	724	164	328	130	10	30

Dimensions in mm.



HEB Plate Fan

Accessories

Model Number	Plastic Louvre Shutters	Single Phase Transformer Voltage Controller	Three Phase Transformer Voltage Controller (5 Step)
HEB6306	HLVS630	TC014	TC033
HEB6308	HLVS630	-	TC033
HEB7106	HLVS710	TC014	TC033

ISSUE 1. JAN 2020.