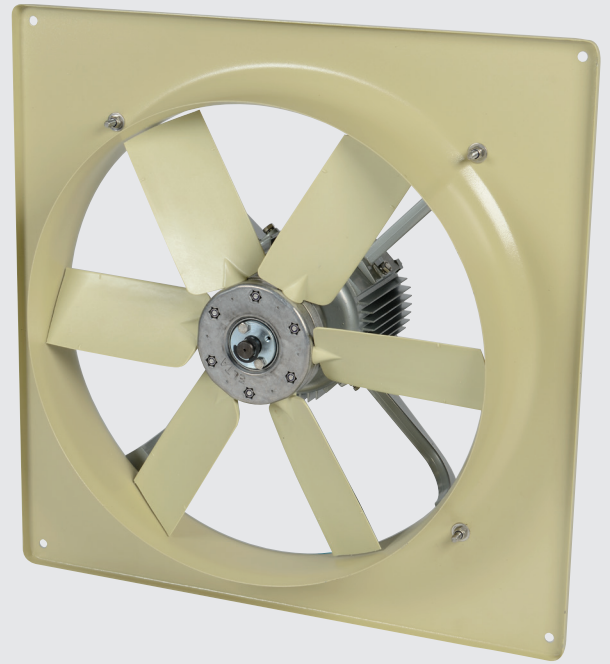


hydor

HXP Plate Fan



The HXP plate fan range has a heavy-duty construction and is a high quality, hard-working range of standard size plate fans designed to pass large volumes of air with high efficiencies on farm.

HXP Fans have a highly efficient and robust TENV motor, suitable for speed control, with proven reliability for long life and trouble-free operation.

The adjustable pitch aerofoil impeller is dynamically balanced to ISO 14694 Grade G6.3. and factory set at an angle to provide maximum performance.

Features & Benefits

- UK designed, built and tested on farm, for agriculture
- Speed controllable and designed for continuous use in livestock applications
- The adjustable aerofoil impeller is dynamically balanced to provide maximum performance whilst ensuring reliability in critical livestock supporting applications, such as poultry
- Optional guards available
- All components available as spares for minimum downtime
- Available in reverse flow (B flow) upon request
- ErP compliant
- The full range includes sizes 450mm to 800mm diameter

HXP Plate Fan

Single Phase

220V to 240V / 50Hz

Model Number	Speed (r/min)	Airflow m ³ /s @ Static Pressure (Pa)						Overall Eff. (%)	FMEG	Input (kW)	FLC (Amps)	dBA @ 3m
		0	25	50	75	100	150					
HXP45041#	1347	1.835	1.725	1.582	1.419	1.256	-	32.1	N40	0.416	1.91	54
HXP45061#	962	1.329	1.190	0.996	-	-	-	29.3	N40	0.184	0.85	48
HXP50041#	1379	2.204	2.097	1.968	1.813	1.626	-	32.8	N40	0.543	2.53	57
HXP50061#	954	1.623	1.463	1.257	0.941	-	-	35.0	N45	0.206	0.91	45
HXP63061#	924	3.365	3.163	2.934	2.677	2.355	-	37.0	N44	0.654	3.12	52
HXP71061#	913	3.982	3.675	3.294	2.784	-	-	32.6	N40	0.663	3.11	59
HXP80061#	914	5.450	4.989	4.544	4.073	3.477	-	36.3	N42	0.963	4.22	62

Three Phase

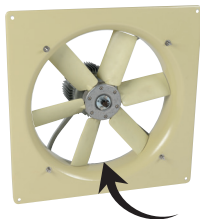
380V to 415V / 50Hz

Model Number	Speed (r/min)	Airflow m ³ /s @ Static Pressure (Pa)						Overall Eff. (%)	FMEG	Input (kW)	FLC (Amps)	dBA @ 3m
		0	25	50	75	100	150					
HXP45043#	1435	1.850	1.754	1.647	1.526	1.387	1.037	36.3	N44	0.433	1.08	57
HXP45063#	945	1.276	1.111	0.904	-	-	-	29.5	N40	0.163	0.64	48
HXP50043#	1372	2.701	2.569	2.431	2.281	2.111	1.616	34.6	N41	0.712	1.36	57
HXP50063#	926	1.654	1.469	1.246	0.879	-	-	33.4	N44	0.211	0.68	44
HXP56043#	1322	3.344	3.175	2.996	2.810	2.614	2.134	35.6	N42	0.916	1.60	57
HXP56063#	872	2.254	1.985	1.689	-	-	-	31.5	N41	0.294	0.74	46
HXP63063#	912	3.323	3.010	2.689	2.301	-	-	36.6	N44	0.493	1.21	53
HXP63083#	688	2.233	1.826	1.296	-	-	-	29.7	N40	0.222	0.77	46
HXP71063#	862	4.498	4.138	3.678	3.117	-	-	35.4	N42	0.689	1.41	58
HXP80063#	896	5.042	4.620	4.177	3.687	3.007	-	42.0	N49	0.724	1.54	61

A airflow



B airflow



Data in accordance with ErP 327/2011 of the European Parliament. Measurement category used to determine energy efficiency: A. Single Phase: FLC Amps @ 230V / 1Ph / 50Hz. Three Phase: FLC Amps @ 400V / 3Ph / 50Hz.

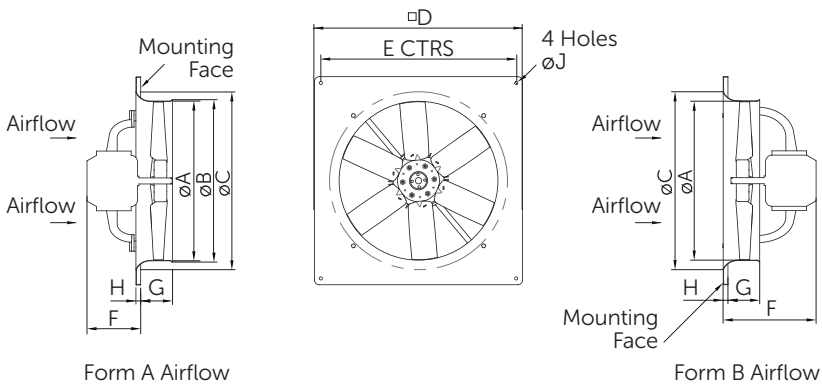
Add A or B for airflow when ordering.

HXP Plate Fan

Dimensions

Model Number	A	B	C	D	E	F (A)	F (B)	G	H	J	Weight (kg)
HXP45041	450	462	500	575	535	157	269	95	15	10	15
HXP45043	450	462	500	575	535	186	199	95	15	10	15
HXP45061	450	462	500	575	535	173	186	95	15	10	15
HXP50041	500	512	560	655	615	182	305	100	15	10	19
HXP50043	500	512	560	655	615	182	305	100	15	10	19
HXP50061	500	512	560	655	615	169	293	100	15	10	20
HXP50063	500	512	560	655	615	169	293	100	15	10	20
HXP56043	560	577	620	725	670	182	321	100	15	10	22
HXP63061	630	647	700	805	750	189	328	105	20	10	30
HXP63063	630	647	700	805	750	189	328	105	20	10	30
HXP63083	630	647	700	805	750	187	326	105	20	10	30
HXP71061	710	725	765	850	810	204	341	103	27	10	30
HXP71063	710	725	765	850	810	191	328	103	27	10	30
HXP80061	800	817	880	973	910	202	353	105	30	10	35
HXP80063	800	817	880	973	910	202	354	105	30	10	35

Dimensions in mm.



HXP Plate Fan

Accessories

Model Number	Plastic Louvre Shutters	Single Phase Electronic Controller	Single Phase Transformer Voltage Controller	Three Phase Transformer Voltage Controller (5 Step)
HXP4504	HLVS450	HFC3.0	TC014	TC033
HXP4506	HLVS450	HFC1.7	TC012	TC033
HXP5004	HLVS500	HFC3.0	TC014	TC035
HXP5006	HLVS500	HFC1.7	TC012	TC033
HXP5604	HLVS560	-	-	TC033
HXP5606	HLVS560	HFC1.7	TC012	TC033
HXP6306	HLVS630	HFC6.0	TC014	TC033
HXP6308	HLVS630	-	-	TC033
HXP7106	HLVS710	HFC6.0	TC014	TC033
HXP8006	HLVS800	HFC6.0	TC018	TC033

ISSUE 2. SEP 2019.