

hydor

HV Mobile Belt Drive Fan



The Hydor HV Mobile Belt Drive Fan unit is specifically designed to ventilate agricultural buildings and support the minimum ventilation requirements of livestock. The range provides high air output combined with minimal energy consumption.

Constructed from galvanised steel with a specially designed stainless steel impeller, these fans are extremely hard wearing and robust. The drive mechanism includes sealed for life maintenance-free ball bearings, which means low noise and vibration levels, perfect for use in livestock ventilation.

The HV range is supplied fully assembled with internal and external safety guards.

Features & Benefits

- Moveable spot cooling to reduce the heat stress of your animals
- Long air throw easily changes the air in any area
- UK 3 pin plug for fast deployment
- Extensively tested in agriculture
- IP55
- Up to 50°C operating temperature
- All components available as spares for minimum downtime
- ErP compliant
- Optional inverter model to allow precise speed control and a reduction in energy usage

HV Mobile Belt Drive Fan

Single Phase

220V to 240V / 50Hz

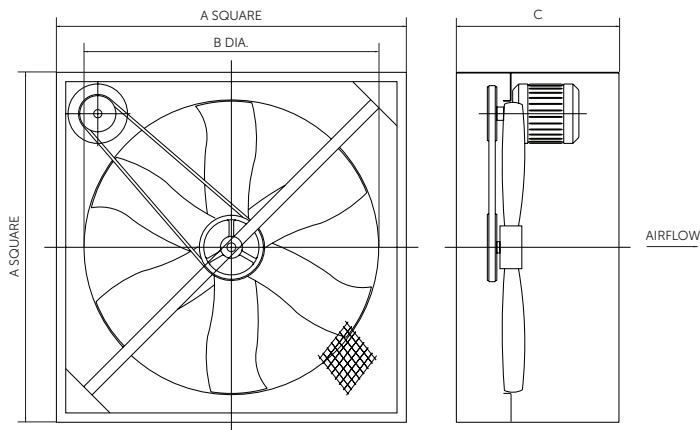
Model Number	Speed (r/min)	Airflow m ³ /s @ Static Pressure (Pa)					Power (kW)	FLC (Amps)	Start (Amps)	dBA @ 3m	
		0	20	40	60	80					100
HV800	630	4.588	4.091	3.589	2.840	-	-	0.75	4.5	14.3	58
HV1000	520	7.096	6.447	5.550	4.296	3.139	1.827	0.75	5.4	14.9	59
HV1250 (1.1kW)	400	11.002	9.578	8.030	6.190	4.028	-	1.1	7.2	25.7	60

Measurement category used to determine energy efficiency: A. FLC Amps @ 230V / 1Ph / 50Hz.

Dimensions

Model Number	A	B	C	Depth inc Louvre	Depth inc Louvre & Guard	Weight (kg)	Weight inc Louvre (kg)
HV800	960	800	330	405	470	32	44
HV1000	1150	1000	330	405	470	40	50
HV1250 (1.1kW)	1380	1250	330	405	470	50	70

Dimensions in mm.



ISSUE 1. SEP 2019.