

hydor

HV Hanging Belt Drive Fan



The Hydor HV Hanging Belt Drive fan unit is specifically designed to ventilate agricultural buildings and support the minimum ventilation requirements of livestock. The range provides high air output combined with minimal energy consumption.

Constructed from galvanised steel with a specially designed stainless steel impeller, these fans are extremely hard wearing and robust. The drive mechanism includes sealed for life maintenance-free ball bearings, which means low noise and vibration levels, perfect for use in livestock ventilation.

The HV range is supplied fully assembled with internal and external safety guards.

Features & Benefits

- Reduces heat stress of your animal
- Available in 5 sizes
- High air output with minimal energy usage
- Extensively tested in agriculture
- IP55
- Up to 50°C operating temperature
- All components available as spares for minimum downtime
- ErP compliant

HV Hanging Belt Drive Fan

Single Phase

220V to 240V / 50Hz

Model Number	Speed (r/min)	Airflow m ³ /s @ Static Pressure (Pa)						Power (kW)	FLC (Amps)	Start (Amps)	dBA @ 3m
		0	20	40	60	80	100				
HV800	630	4.588	4.091	3.589	2.840	-	-	0.75	4.5	14.3	58
HV1000	520	7.096	6.447	5.550	4.296	3.139	1.827	0.75	5.4	14.9	59
HV1250 (1.1kW)	400	11.002	9.578	8.030	6.190	4.028	-	1.1	7.2	25.7	60
HV1500	360	12.828	11.360	9.503	6.815	-	-	1.5	9.4	33.0	61
HV2000	280	20.137	16.539	12.970	7.639	-	-	1.5	10.0	35.0	59

Measurement category used to determine energy efficiency: A. FLC Amps @ 230V / 1Ph / 50Hz.

Three Phase

400V / 50Hz

Model Number	Speed (r/min)	Airflow m ³ /s @ Static Pressure (Pa)						Power (kW)	FLC (Amps)	Start (Amps)	dBA @ 3m
		0	20	40	60	80	100				
HV800	630	4.588	4.091	3.589	2.840	-	-	0.75	2.0	5.9	58
HV1000	520	7.096	6.447	5.550	4.296	3.139	1.827	0.75	2.6	7.8	59
HV1250 (1.1kW)	400	11.002	9.578	8.030	6.190	4.028	-	1.1	2.9	8.7	60
HV1500	360	12.828	11.360	9.503	6.815	-	-	1.5	3.6	10.8	61
HV2000	280	20.137	16.539	12.970	7.639	-	-	1.5	3.8	12.5	59

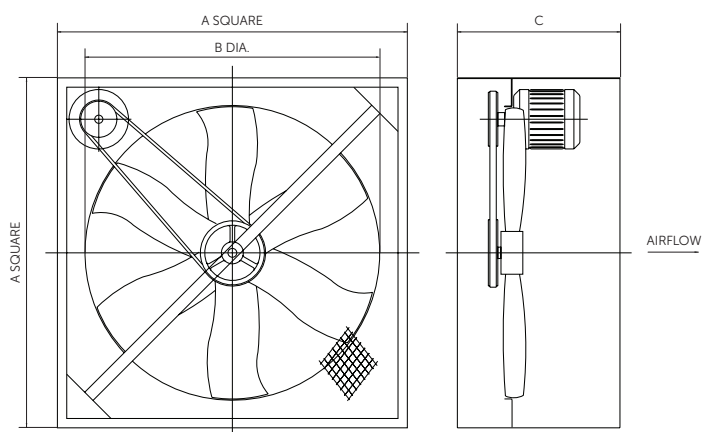
Measurement category used to determine energy efficiency: A. FLC Amps @ 400V / 3Ph / 50Hz.
Note: Motor electrical data is approximate, as it varies from one motor manufacturer to another

HV Hanging Belt Drive Fan

Dimensions

Model Number	A	B	C	Weight (kg)
HV800	960	800	330	32
HV1000	1150	1000	330	40
HV1250 (1.1kW)	1380	1250	330	50
HV1500	1495	1350	430	55
HV2000	1930	1760	450	75

Dimensions in mm.



HV Hanging Belt Drive Fan

Accessories

Model Number	1Ø 3 Step Speed Controller	1Ø DOL Starter	3Ø DOL Starter
HV800	FC0149-TC110HV	004828	003644
HV1000	FC0149-TC110HV	004828	004726
HV1250 (1.1kW)	FC0149-TC110HV	004831	003645
HV1500	-	004833	004296
HV2000	-	004833	004296

ISSUE 1. SEP 2019.