



FSU SERIES - AC SUPPLY

Filtered Supply Fan

FSU SERIES - AC SUPPLY



Description

The Filtered Supply Unit Series fan has been designed to provide filtered outside air to a range of applications. Can be wired in high, medium and low speed and includes a high performance cross flow impeller.

Typical Applications

Supplies filtered air for applications from switchrooms and dataroom pressurisation to libraries and classrooms. Also suitable for areas that are typically serviced by under-ceiling air conditioning units where a direct supply fresh air intake is not possible or practical.

Features

- Durable zinc coated steel housing, powder-coated 'off-white'.
- Designed for in-wall mounting.
- Strong and secure all steel construction.
- Weatherproof, inlet grille is standard.
- Powder-coated axial flow fan.
- 3-speed facility, connected on-site.
- G4 filter included as standard, see Additional Information.

Construction

Zinc coated, 'off-white' powder-coated steel housing. Integral all steel weatherproof inlet grille providing security. Filter in fan discharge is standard.

Motor

Type - external rotor, squirrel cage induction motor.
Electricity supply- 230V, single phase, 50Hz.
Ball Bearing - sealed for life.
Supplied with three speed facility, adjusted on site by a wiring change or 3-speed switch.
Class B motor, IP44 rated.
See pages O-2/3 for details on these motors.

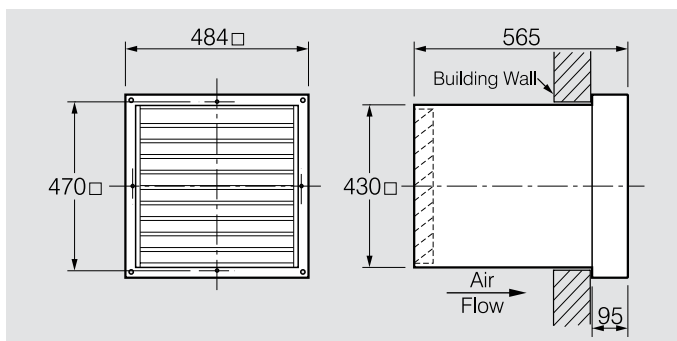
Internal Thermal Protection

Auto-reset type fitted as standard.

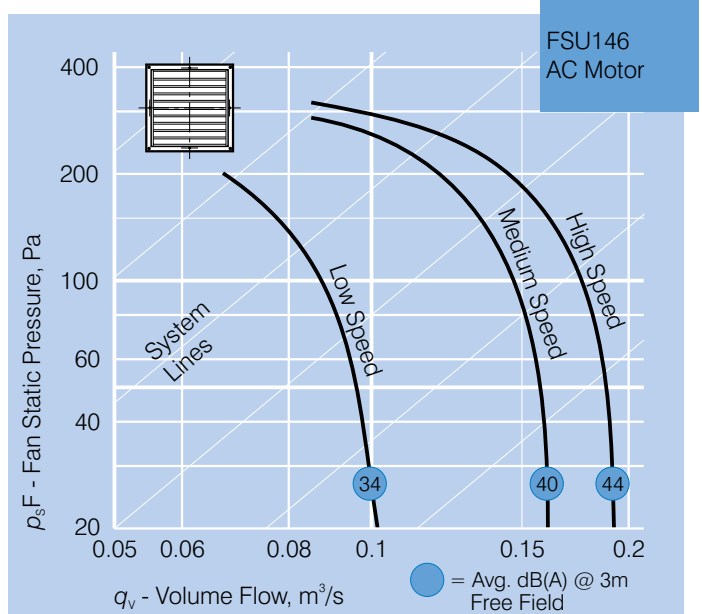
Testing

Airflow tests to BS848:Part 1, 1980
Noise tests to BS848:Part 2, 1985
Performances shown are based on clean filters.
As airflow will be affected by room pressurisation, care should be taken to ensure adequate air relief is provided.

Dimensions



Dimensions in mm



Technical Data

Model Number	Speed Setting	Air Flow m ³ /sec	Avg. dB(A)* @ 3m	FSU.. 1 ph. Watts	1 ph. Amps	App. Wt. kg
FSU146-4-B1	1 (Hi)	0.20	44	205	0.95	30
	2 (Med)	0.16	40			
	3 (Lo)	0.11	34			

* dB(A) figures shown are free field

Wiring Diagram

The unit is provided with a wiring strip mounted internally. Active, Neutral and an Earth are required to be connected to the strip. On-Off switches are by others.

Additional Information

Filter

A 420 x 420mm washable filter is provided on the discharge of the fan with a performance classification of G4 as tested in accordance with AS1324.2-2001 and rated as per AS1324.1-2001. These ratings are equivalent to the European 4/5 classification for filters as outlined in EN778. Access is obtained by un-doing four dome nuts on the diffuser panel and then turning four swivel clips.

Installation

This unit is designed to be installed flush to the inside wall, except diffuser plate protrusion. Four mounting holes are provided on the internal flange to secure the unit to the inside wall, fasteners are by others. A flashing angle can be provided for external use as an option. A penetration size of 440 x 440mm is required.

Suggested Specification

The Filtered Supply Unit shall be of the FSU Series fitted with an AC motor and supplied by Elta Fans. The units shall incorporate a cross flow impeller and washable filter media in an 'off-white' powder-coated galvanised steel housing. Performance shall be based upon tests conducted to BS848:Part 1, 1980 for airflow and BS848:Part 2, 1985 for noise.

How To Order

Quote the model number shown in the Technical Data table.



Elta Fans Malaysia Sdn Bhd

Tel **+603 7846 0340**

Fax **+603 7842 1132**

Email **info@eltafans.asia**

No. 147, Jalan TUDM Kampung
Baru Subang, 40150 Shah Alam,
Selangor West Malaysia, Malaysia

eltafans.asia

FSU-08-2019 Issue A



FS 676456

A MEMBER OF  ELTA GROUP