

QB SERIES

A



Description

The QB axial fan is ideal for air extraction in the bathroom, toilet and other small to medium spaces. Suitable to extract air directly outside or through short length ducting. This fan can be wall and ceiling mounted. Available in 100 and 150mm models.

Typical Applications

Exhaust from toilets, ensembles bathrooms, washrooms and laundries.

Features

- Unique design winglet-type impeller, providing enhanced aerodynamic properties, low noise levels and increased efficiency.
- Optimised spigot to prevent distortion with strengthened guard to maximise airflow.
- Low power consumption with fan consuming less than 8 watts of power for 100mm model.
- Single phase induction motor with integral thermal protection, mounted on sealed for life high quality sleeve bearings.
- Double insulated so no earth connection is required.
- Available in standard and run-on timer versions.
- Grille can be easily removed for cleaning.
- Suitable for intermittent running.
- Comes with 2 year warranty.

Construction

Fan housing made from high quality technopolymer which is shock proof and long lasting.

Finished in white RAL 9010 and UV resistant.

Motor

Type - single phase induction motor.

Electricity supply - single phase 220-240V, 50/60Hz.

Bearings - sleeve.

Maximum ambient temperature - 50°C.

Class II insulation, IPX4 rated.

Internal Thermal Protection

Model 100 and 150 - fuse.

Testing

Airflow to ISO 5801:2007

Noise to ISO 3741:2010

Wiring Diagram

See page N-8.

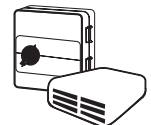
Ancillary Equipment



Duct
Ref. Section L



External Grilles
Ref. Section L



Controllers
Ref. Section M

Suggested Specification

The wall/ceiling fan shall be of the QB series as supplied by Elta Fans and be of the models shown.

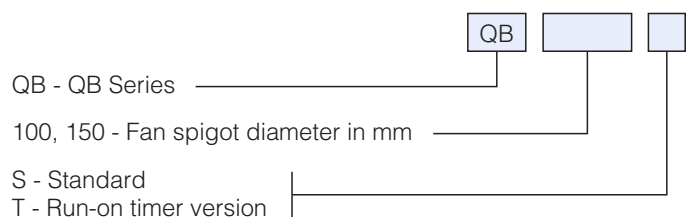
It shall have single phase induction motors with built in thermal protection.

All models shall be fully tested to ISO 5801:2007 for airflow and ISO 3741:2010 for noise.

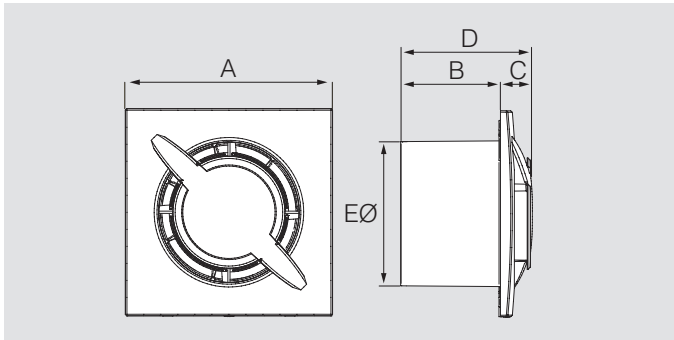
Technical Data

Model Number QB...	Free Air m ³ /sec	Avg. dB(A) @ 3m	Watts	Max. °C
100	0.02	26	8	50
150	0.07	39	22	50

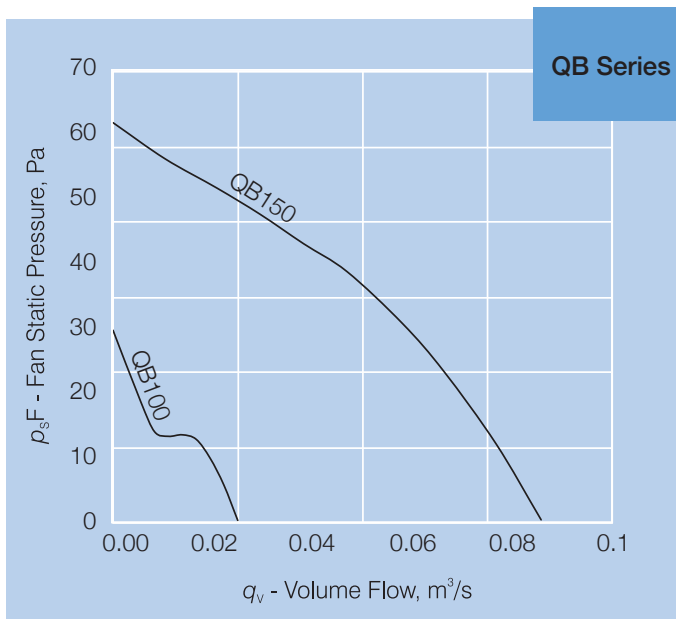
How To Order



Dimensions



Model QB...	Dimensions, mm					Approx. wt. kg
	A	B	C	D	EØ	
100	140	67	23	90	99	0.41
150	184	96	30	126	148	0.84





Elta Fans Asia

For information about your nearest office, visit us online:

Web www.eltafans.asia

Email info@eltafans.asia

At Elta Fans we are dedicated to the continuous research and development of all our products. To provide you with the very best in air movement and ventilation, products supplied may differ from those illustrated and described in this publication. Confirmation of dimensions and data can be supplied on request from our team.