

QAX SERIES

A



Description

The QAX single flow decentralised mechanical ventilation unit is ideal for continuous running. It is the best DMEV ever tested at BRE laboratory (UK). Ideal for constant ventilation in the bathroom, study, toilet and other small to medium spaces. Suitable to ventilate air directly outside or through short ducting. Units can be wall, ceiling and window mounted. Available in 100mm model only.

Typical Applications

Exhaust from toilets, ensuite bathrooms, washrooms, laundries and other small to medium spaces.

Features

- Aesthetic front flat cover for modern interior designs, easily removed for cleaning.
- Unique design winglet-type impeller, providing enhanced aerodynamic properties, low noise levels and increased efficiency.
- Highly efficient EC brushless motor with ball bearings and integral thermal protection.
- Designed for continuous running, can be used for intermittent operation.
- Ultra low power consumption with 2.5W at maximum speed, designed for 24 hour operation.
- 3 selectable trickle speeds with a boost option.
- Ultra quiet from 11dB(A) - maximum 26dB(A).
- Double insulated so no earth connection is required.
- Cable entry from the back or side of the unit.
- Available in multiple versions.
- Comes with 2 year warranty.

Construction

Fan housing made from high quality ABS which is shock proof and long lasting.

Finished in white RAL 9010 and UV resistant.

Motor

Type - EC brushless motor.

Electricity supply - single phase 230V, 50Hz.

Bearings - ball.

Maximum ambient temperature - 50°C.

Class II insulation, IPX4 rated.

Internal Thermal Protection

Model 100 - thermal cut out.

Testing

Airflow to ISO 5801:2007

Noise to ISO 3741:2010

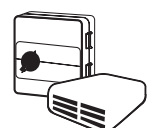
Ancillary Equipment



Duct
Ref. Section L



External Grilles
Ref. Section L



Controllers
Ref. Section M

Suggested Specification

The single flow decentralised mechanical ventilation unit shall be of the QAX Series as supplied by Elta Fans and be of the models shown.

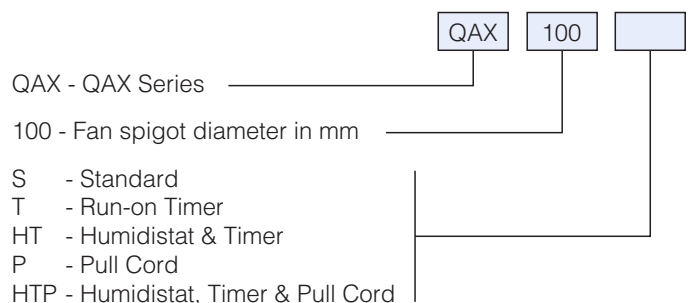
It shall have an EC brushless motor with ball bearings, and built in thermal protection.

All models shall be fully tested to ISO 5801:2007 for airflow and ISO 3741:2010 for noise.

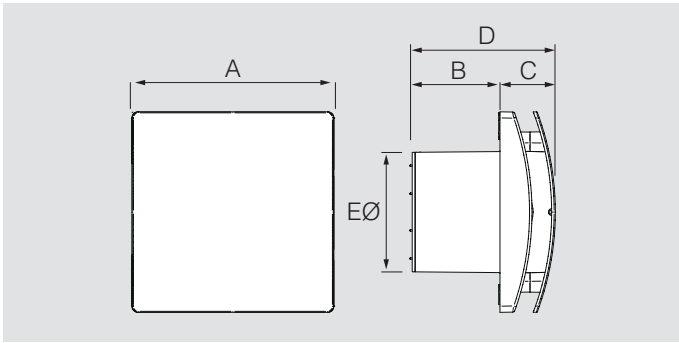
Technical Data

Model Number	Speed Setting	Free Air m ³ /sec	Avg. dB(A) @ 3m	Watts	Max. °C
QAX	Boost	0.023	26	2.5	50
	High	0.013	23	1.7	
	Mid	0.008	13	1.2	
	Low	0.006	11	1	

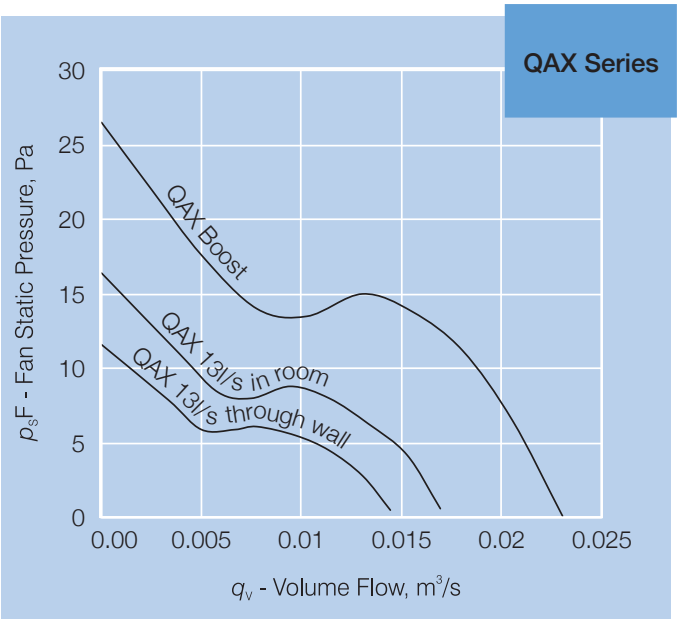
How To Order



Dimensions



Model Number	Dimensions, mm					Approx. wt. kg
	A	B	C	D	EØ	
QAX	164	70	46	116	99	0.6





Elta Fans Asia

For information about your nearest office, visit us online:

Web www.eltafans.asia

Email info@eltafans.asia

At Elta Fans we are dedicated to the continuous research and development of all our products. To provide you with the very best in air movement and ventilation, products supplied may differ from those illustrated and described in this publication. Confirmation of dimensions and data can be supplied on request from our team.