

HBC SERIES



A

Description

The HBC Series are designed to be mounted directly into the ceiling. They have a simplistic design aimed at being discreet and unnoticeable. The HBC cassette fan is completely metal, has an efficient design with quick installation time and an easy to clean front grille.

Typical Applications

Exhaust from bathrooms, toilets, laundries, kitchens and other small to medium spaces.

Features

- Tough long lasting steel casing for unit and grille.
- High quality sealed for life ball bearing motor.
- Simple design to match surrounding area and go unnoticed.
- Easy to clean grille.
- Designed for use with ducted systems.
- Non-return backdraft damper to stop return air.

Construction

Housing and grille are made from powder coated steel.

Motor

Type - induction motor.

Electricity supply - 220-240V, single phase, 50Hz.

Bearings - sealed for life, ball.

IPX2 Rated.

Internal Thermal Protection

Model 24, 34 and 44 - thermal fuse.

Testing

Contact your local office for further information.

Ancillary Equipment



Duct
Ref. L



External Grilles
Ref. L

Suggested Specification

The ceiling fans shall be of the HBC Series as designed by Elta Fans and be of the model number shown on the schedule/drawing. Impellers shall be made of powder coated steel fan fitted with an IPX2 rated motor, it shall include thermal protection as standard. Fans shall be fitted with non-return backdraft damper.

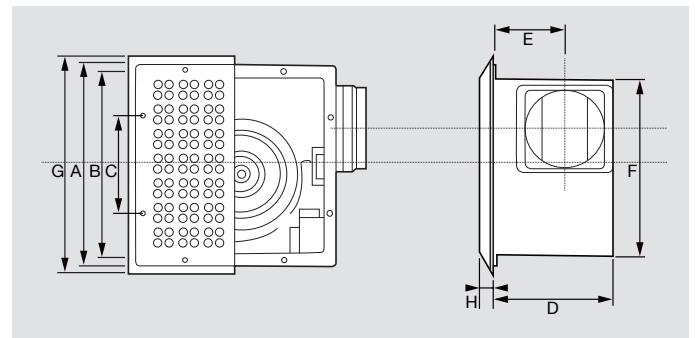
Technical Data

Model Number HBC...	Fan Speed, rps	Free Air m ³ /sec	Avg. dB(A) @ 3m	Watts	FLC, A
24	13.4	0.041	36	21	0.11
34	13.4	0.075	40	38	0.19
44	15.5	0.092	41	45	0.22

How To Order



Dimensions



Model HBC...	Dimensions, mm							
	A	B	C	D	E	F	G	H
24	280	266	160	135	88	240	300	15
34	310	296	180	198	134	270	330	15
44	310	296	180	198	134	240	300	15



Elta Fans Asia

For information about your nearest office, visit us online:

Web www.eltafans.asia

Email info@eltafans.asia

At Elta Fans we are dedicated to the continuous research and development of all our products. To provide you with the very best in air movement and ventilation, products supplied may differ from those illustrated and described in this publication. Confirmation of dimensions and data can be supplied on request from our team.