



## Description

Airbox is a low profile, extraction fan that can be installed into tight ceiling spaces such as between floors or within cathedral ceilings. It features a non-return damper to eliminate backdraft and a high performance centrifugal impeller that produces powerful airflow and low noise. Models to suit 100mm and 150mm diameter duct sizes are available.

### Typical Applications

Exhausts air from residential and light commercial rooms such as toilets, bathrooms, laundries, kitchens and ensuites. Particularly suited to applications where space is restricted.

### Features

- Removable clip-in grille makes cleaning easy.
- Convenient installation with ceiling latch or screw-in fixing.
- Designed for use in ducted systems.
- High performance “continuous run” motor.
- Made from durable injection moulded plastic.
- Non-return damper eliminates backdraft.
- 6 minute run-on timer version available.
- Models include plug and lead to make installation easier.

### Construction

Housing and grille are made from injected moulded plastic. Fans are forward-curved centrifugal, driven by a squirrel cage motor.

### Motor

Type - squirrel cage induction motor.  
Electricity supply - 230V, single phase, 50Hz.  
Bearings - sealed for life, ball.  
See pages O-2/3 for details on these motors.

### Internal Thermal Protection

Manual-reset thermal protection is fitted as standard

### Testing

Airflow to ISO5801: 1997  
Noise to AS1217.5: 1985

### Additional Information

Timer model is not speed controllable.

## Suggested Specification

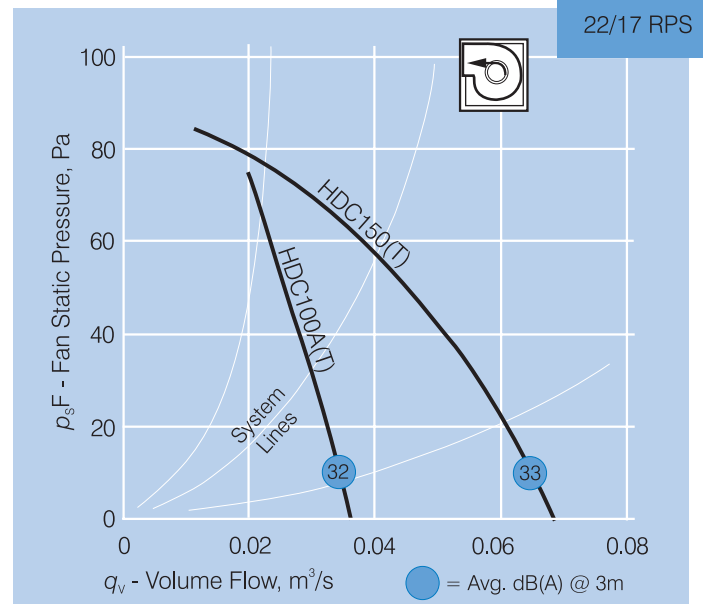
The ceiling fans shall be of the Airbox Series as supplied by Elta Fans and be of the model number shown on the schedule/drawing.

Impellers shall be forward-curved centrifugal and driven by a squirrel cage motor with integral thermal protection. Fans shall be fitted with a non-return backdraft damper and removable clip-in grille.

They shall be tested to ISO5801: 1997 for airflow and AS1217.5: 1985 for noise.

## How To Order

Select the model that meets your airflow and application requirements from the graph. If the performance required falls between two models, the one handling the most air should be selected.

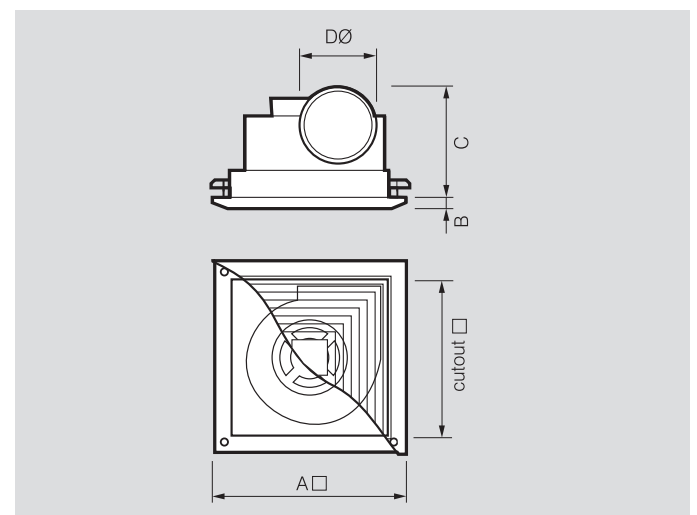


## Technical Data

| Model Number      | Fan Speed rev/sec | Avg. dB(A) @ 3m | Watts | Amps | App. Wt. kg |
|-------------------|-------------------|-----------------|-------|------|-------------|
| <b>100A</b>       | 22                | 32              | 30    | 0.14 | 2.5         |
| <b>HDC150</b>     | 17                | 33              | 35    | 0.16 | 3.25        |
| <b>HDC100A(T)</b> | 22                | 32              | 30    | 0.14 | 2.5         |
| <b>HDC150(T)</b>  | 17                | 33              | 35    | 0.16 | 3.25        |

Models HDC100A(T) and HDC150(T) include 6 minute run-on timer.

## Dimensions



| Model Number      | Dimensions, mm |    |     |     | Cut out □ |
|-------------------|----------------|----|-----|-----|-----------|
|                   | A□             | B  | C   | DØ  |           |
| <b>HDC100A(T)</b> | 267            | 20 | 168 | 100 | 232       |
| <b>HDC150(T)</b>  | 322            | 22 | 192 | 150 | 280       |

## Ancillary Equipment



VA - Speed controller  
Ref. Section M



Ducting Louvres & Grilles  
Ref. Section L



## Elta Fans Asia

For information about your nearest office, visit us online:

Web [www.eltafans.asia](http://www.eltafans.asia)

Email [info@eltafans.asia](mailto:info@eltafans.asia)

At Elta Fans we are dedicated to the continuous research and development of all our products. To provide you with the very best in air movement and ventilation, products supplied may differ from those illustrated and described in this publication. Confirmation of dimensions and data can be supplied on request from our team.