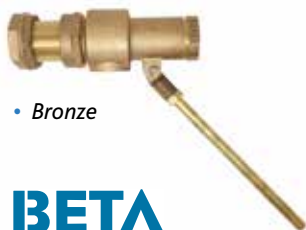


Equilibrium Float Valves

NEW



• Bronze

BETA

	Size	Lever	Float Thread
DBL604	1 1/4" BSP	11"	9/16"
DBL605	1 1/2" BSP	11"	9/16"
DBL606	2" BSP	11"	3/8"
DBL607	2 1/2" BSP	19"	9/16"

	Size	Lever	Float Thread
DBL608	3" BSP	20"	3/4"
DBL609	4" BSP	21"	3/4"
DBL610	6" BSP	23"	7/8"

Recommended Float Sizes for Beta Equilibrium Ballvalves

Our Code	Size	Tail Length	Level Length	Lever Thread	Recommended Float Size	Float Code
DBL604	1.1/4"	1.7/8"	10.13/16"	9/16"	10"	D1100
DBL605	1.1/2"	1.7/8"	10.13/16"	9/16"	10"	D1100
DBL606	2"	2.1/8"	111/8"	5/8"	12"	D1120
DBL607	2.1/2"	3"	19"	9/16"	12"	D1120A
DBL608	3"	3.1/2"	20"	3/4"	14"	D1140
DBL609	4"	4"	21"	3/4"	15"	D1150
DBL610	6"	5"	23"	7/8"	16"	D1160

Flow rate chart for Beta Equilibrium Ballvalves

Static Pressure		901- Floatvalve Size									
Bar	P.S.I	1/2 (LPM)	3/4 (LPM)	1" (LPM)	1.1/4 (LPM)	1.1/2 (LPM)	2" (LPM)	2.1/2 (LPM)	3" (LPM)	4" (LPM)	6" (LPM)
0.5	7.2	22.3	56.8	127.3	227.3	318.2	500.1	1136.5	1409.3	2045.7	3636.9
1	14.5	31.4	80.5	172.8	322.8	454.6	681.9	1591.1	2000.3	2864.0	5137.1
1.5	21.7	38.2	98.7	218.2	395.5	545.5	863.8	1954.8	2454.9	3500.5	6273.6
2	29	44.1	113.7	250.0	454.6	636.5	1000.1	2273.0	2818.6	4046.0	7273.7
2.5	36.2	49.6	127.3	281.9	509.2	681.9	1136.5	2545.8	3136.8	4546.1	8092.0
3	43.5	54.1	140.9	309.1	554.6	772.8	1227.4	2773.1	3455.0	5000.7	8864.9
4	58	62.7	159.1	363.7	645.5	863.8	1454.7	3227.7	4000.6	5773.5	10228.7
5	72	69.6	177.3	400.1	713.7	1000.1	1591.1	3591.4	4455.2	6364.5	11365.2
6	87	76.4	195.5	436.4	786.5	1091.1	1727.5	3955.1	4864.3	7046.4	12501.7
7	101	82.7	209.1	472.8	845.6	1182.0	1909.4	4273.3	5273.5	7592.0	13411.0
8	116	88.6	227.3	500.1	909.2	1272.9	2000.3	4546.1	5682.6	8183.0	14547.5
9	130	94.1	240.9	536.4	963.8	1363.8	2136.7	4818.9	6000.8	8637.6	15456.7
10	145	98.7	254.6	568.3	1013.8	1432.0	2273.0	5091.6	6319.1	9092.2	16138.6
11	159	103.7	268.2	591.0	1063.8	1500.2	2364.0				
12	174	108.2	277.3	618.3	1113.8	1545.7	2454.9				
13	188	113.2	290.9	645.5	1159.3	1636.6	2591.3				
14	203	116.8	300.0	672.8	1200.2	1682.1	2682.2				

Not suitable for pressures above 10 bar

Recommended Float Sizes for BS1212 Ballvalves and EBCO Equilibrium Ballvalves

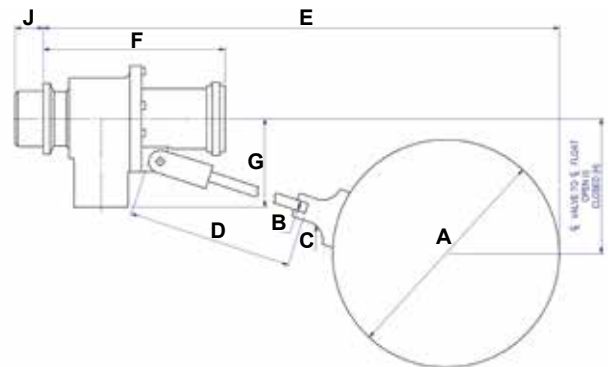
BV Size	Float & Stud Size Copper or Plastic Floats Recommended	BS1212 Ballvalves				Equilibrium Ballvalves
		HP	MP	MP	LP	Float & Stud Size Copper Floats Recommended
1/2"	4 1/2" x 5/16"	1/8"	3/16"	1/4"	3/8"	4 1/2" x 5/16"
3/4"	6" x 5/16"	1/4"			1/2"	6" x 5/16"
1"	8" x 7/16"	3/8"			5/8"	8" x 7/16"
1 1/4"	10" x 9/16"	3/4"			15/16"	8" x 7/16"
1 1/2"	10" x 9/16"	3/4"			15/16"	10" x 9/16"
2"	12" x 5/8"	1"			1 1/4"	12" x 5/8"
2.1/2"						15" x 3/4"
3"						15" x 3/4"
4"						16" x 7/8"

Flow rate chart for EBCO Equilibrium Ballvalves Only

Mark 1 Pressure (Bar)	Flowrate (Ltrs/min)				
	1/2" Valve	3/4" Valve	1 1/4" Valve	2" Valve	4" Valve
0.5	29.8	53.90	205	497	2227
1	41.2	75.00	292	694	3124
1.5	50	92.34	355	852	3812
2	57.5	107.40	412	976	4380
2.5	64.2	119.50	461	1098	4879
3	70.6	130.00	502	1192	5328
3.5	76.6	138.80	544	1276	5738
4	82.2	146.90	582	1359	6117
4.5	87.6	154.60	616	1430	6478
5.0	92.6	163.30	649	1501	6841

EBCO Equilibrium Ballvalves

	1/2"	3/4"	1"	1.1/4"	1.1/2"	2"	2.1/2"	3"	4"
A	4.1/2"	6"	8"	8"	10"	12"	15"	15"	16"
B	5/16"	5/16"	7/16"	7/16"	9/16"	5/8"	3/4"	3/4"	7/8"
C	Stud	Stud	Stud	Stud	Stud	Stud	Stud	Stud	Stud
D	10"	13"	16"	17"	18"	19"	20"	21"	23"
E	17"	22"	25"	27"	30"	36"	39"	42"	47"
F	3.1/2"	4.1/2"	5"	5.1/2"	6.3/4"	8"	9.1/4"	10.1/4"	12"
G	1"	1.1/2"	2"	2.1/4"	2.1/2"	3"	3.1/4"	3.3/4"	4.3/4"
H	5"	5"	6"	6"	8"	9"	9"	9"	10"
I	8"	10"	12"	14"	16"	17"	17"	17"	21"
J	1.1/4"	1.1/2"	2"	2.1/4"	2.1/2"	3"	3.1/4"	3.3/4"	4.3/4"



* Dimensions are approximate.
Drawings are not to scale, for illustration purposes only

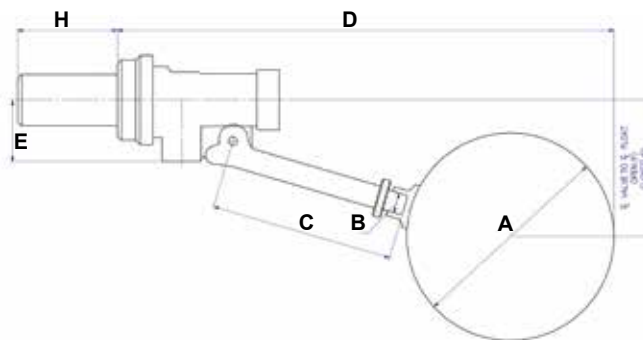
Flow Rate Chart for BS Ballvalves only

Low	Pressure Max	40 PSI
Medium	Pressure Max	100 PSI
High	Pressure Max	300 PSI

Pressure Of Water 1 bar = 14 PSI	Head Of Water	Diameter of Orifice									
		3.1mm 1/8"	4.7mm 3/16"	6.3mm 1/4"	9.5mm 3/8"	12.7mm 1/2"	15.8mm 5/8"	19.0 mm 3/4"	23.8mm 15/16"	25.4mm 1"	31.7mm 1 1/4"
Discharge in Litres per second											
0.039	0.4	0.016	0.036	0.065	0.147	0.263	0.407	0.590	0.926	1.050	1.640
0.098	1.0	0.250	0.057	0.103	0.234	0.418	0.647	0.937	1.470	1.670	2.600
0.246	2.5	0.039	0.090	0.162	0.370	0.661	1.020	1.480	2.320	2.640	4.120
0.393	4.0	0.050	0.114	0.206	0.468	0.836	1.290	1.870	2.940	3.340	5.210
0.881	9.0	0.075	0.172	0.308	0.702	1.250	1.940	2.810	4.410	5.020	7.810
1.97	16.0	0.100	0.228	0.412	0.936	1.670	2.590	3.750	5.880	6.690	10.400
2.06	21.0	0.114	0.262	0.473	1.070	1.920	2.970	4.310	6.750	7.680	12.000
2.46	25.0	0.124	0.286	0.515	1.170	2.090	3.240	4.690	7.350	8.360	13.000
3.54	36.0	0.149	0.344	0.618	1.400	2.510	3.880	5.630	8.820	10.000	15.600
4.23	43.0	0.163	0.371	0.671	1.530	2.710	4.240	6.140	9.620	10.900	17.000
4.81	49.0	0.174	0.400	0.721	1.640	2.930	4.530	6.560	10.300	11.700	18.200
5.6	57.0	0.188	0.432	0.777	1.770	3.160	4.880	7.070	11.100	12.600	19.700
6.28	64.0	0.199	0.458	0.824	1.870	3.350	5.170	7.500	11.800	13.400	20.800
7.36	75.0	0.216	0.495	0.891	2.020	3.620	5.610	8.110	12.700	14.500	22.600
7.95	81.0	0.224	0.515	0.927	2.100	3.760	5.820	8.440	13.200	15.000	23.400
9.24	94.0	0.244	0.555	1.000	2.270	4.060	6.280	9.100	14.300	16.200	25.300
9.83	100.0	0.249	0.572	1.030	2.340	4.180	6.460	9.370	14.700	16.700	26.000
11.9	121.0	0.274	0.628	1.160	2.570	4.590	7.110	10.300	16.200	18.400	28.600
14.1	144.0	0.298	0.686	1.240	2.810	5.020	7.760	11.300	17.600	20.000	31.200

BS1212 Ballvalves

REF	DBL101A	DBL305	DBL141	DBL161	DBL171	DBL181
BSP	1/2"	3/4"	1"	1.1/4"	1.1/2"	2"
A	4.1/2"	6"	8"	10"	10"	12"
B	5/16" BSW	5/16" BSW	7/16" BSW	9/16" BSW	9/16" BSW	5/8" BSW
C	8.3/4"	13"	16"	22"	22"	29"
D*	390mm	555mm	670mm	890mm	890mm	1170mm
E*	23mm	34mm	41.3mm	57.2mm	57.2mm	76.2mm
F*	235mm	65mm	290mm	425mm	425mm	540mm
G*	80mm	85mm	140mm	185mm	185mm	210mm
H*	41mm	43mm	52mm	62mm	62mm	70mm



Requirements of Byelaw 42

Parts 2, 3 and 4 Float Operated Valves are capable of withstanding a back syphonage test when the water level is as high as the centreline of the valve.

Byelaw 42 requires not only that the lever of a float operated valve should be strong enough, but in the case of every 1/2" sized valve should be fitted with some easily adjustable device for setting the water level. Bending of the lever will not be accepted.