

ATLAS PROFESSIONAL COLLECTION

URINAL BOWL 50CM (EXPOSED) - NO TRAP



Product Code	URBOW50
Weight (Kg)	10
Material	Vitreous White
Waterless	N
Colour	White
Waste	38mm waste outlet/32mm auto-cistern outlet
Flushing volume (ltr)	4.5/9litres
Flushing mechanism	Autosyphon
Extras	White plastic waste:URDWP

Key features:

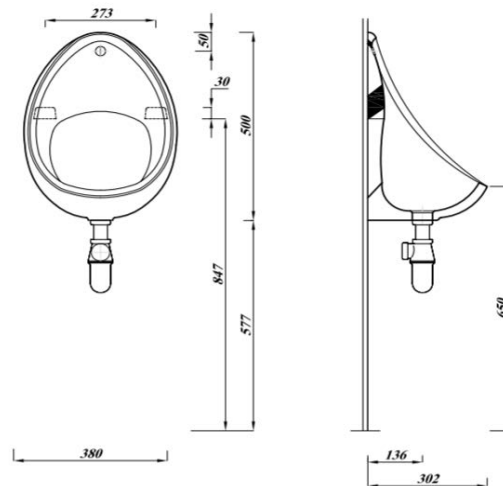
- Exposed or concealed inlet
- CE Compliant
- Waterless option available
- Pick up-packs available
- Lifetime ceramic guarantee*

Description:

This conventional urinal is perfect for any commercial setting. Its simple design makes it easy to clean and maintain. The use of an autosyphon prevents excessive flushing in high traffic areas. This urinal is also available in a waterless pack to take water saving to the max!

Compatible Products:

- . Boxed pipework - URPWS (1 bowl), URPW2BOW (2 bowls), URPW3BOW (3 bowls), URPW4BOW (4 bowls), URPW5BOW (5 bowls)
- . Urinal Separator - URSEP
- . Chrome Waste - URDWC
- . Small Cistern - URCIS (4.5ltr) for 1 to 3 bowls
- . Large Cistern - URCIL (9ltr) for 4-5 bowls
- . Autosyphon - ASYP159



All dimensions are approximate and subject to normal ceramic variation. Although every effort is made not to change the above product specification, Lecico reserve the right to do so without prior notification if necessary. *Against manufacturers defects. Full information on guarantees available upon request.