

ATLAS PROFESSIONAL COLLECTION

URINAL BOWL 60CM (CONCEALED)

- NO TRAP



Product Code	URBOW
Weight (Kg)	14.6
Material	Vitreous China
Waterless	Y/N
Colour	White
Waste	38mm waste outlet
Flushing volume (ltr)	4.5/9litres
Flushing mechanism	Autosyphon
Extras	Plastic Waste - URWP/ Urinal Separator - URSEP

Key features:

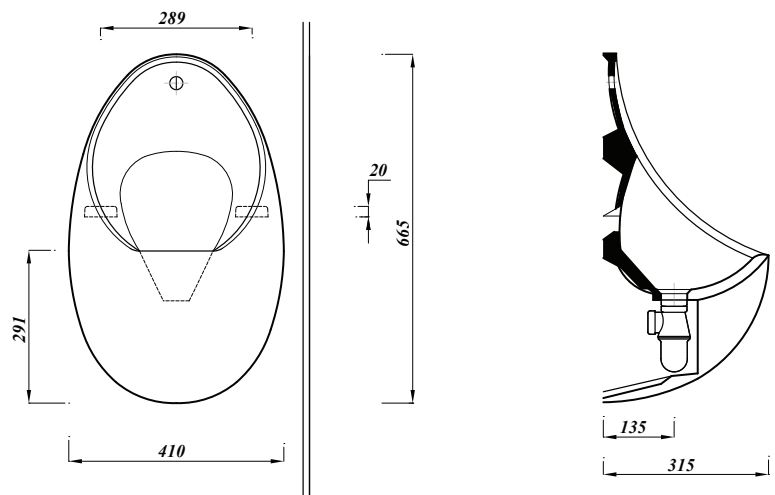
- Exposed or concealed inlet
- CE Compliant
- Waterless option available
- Concealed waste
- Lifetime ceramic guarantee*

Description:

Achieve a cleaner look by concealing pipework and wastes, to create an upmarket finish. This concealed urinal is perfect for all commercial settings. Its bold design makes it easy to clean and maintain.

Compatible Products:

- . Boxed pipework - URPW2BOW (2 bowls), URPW3BOW (3 bowls), URPW4BOW (4 bowls), URPW5BOW (5 bowls)
- . Urinal Separator - URSEP
- . Chrome Waste - URDWC
- . Small Cistern - URCIS (4.5ltr) for 1 to 3 bowls
- . Large Cistern - URCIL (9ltr) for 4-5 bowls
- . Autosyphon - ASYP159



All dimensions are approximate and subject to normal ceramic variation. Although every effort is made not to change the above product specification, Lecico reserve the right to do so without prior notification if necessary. *Against manufacturers defects. Full information on guarantees available upon request.