

YASMINA BASIN MIXER GUNMETAL GREY



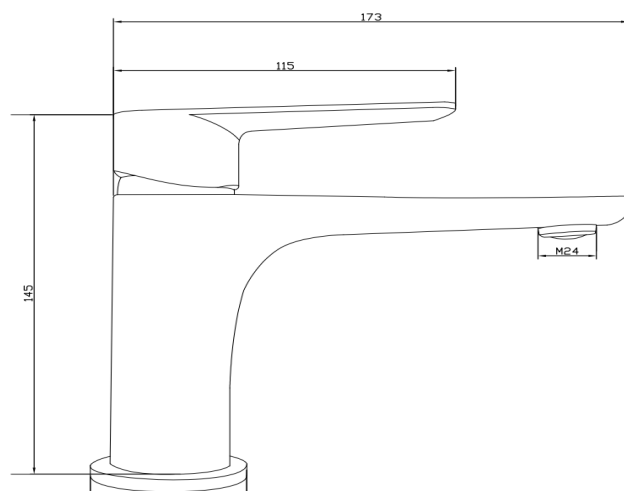
Product Code	TPYAMONGM
Weight (Kg)	1.1
Material	Brass, zinc
Finish	Gunmetal Grey
Min Pressure	0.2
Max Pressure	6

Key features:

- Gunmetal grey finish
- PVD coated
- Inlet connection: G 1/2" tail end M10 400mm hose
- 35mm ceramic cartridge
- 5 year guarantee*

Description:

The Yasmina basin mixer is crafted from a durable brass body with sleek gunmetal grey finish and zinc-alloy handles. The fitting features a WRAS approved SEDAL ceramic cartridge for reliable flow control and a Neoperl aerator for efficient water flow. Designed to perform reliably across a wide pressure range of 1.0–5.0 bar.



Flow Rates (Litres per minute)

System Pressure	0.1 Bar	0.2 Bar	0.3 Bar	0.5 Bar	1.0 Bar	2.0 Bar	3.0 Bar	4.0 Bar	5.0 Bar	5.0 Bar
	-	-	-	2.2	2.6	3.6	3.9	4.2	4.4	62.0

All dimensions are approximate and subject to normal variation. Although every effort is made not to change the above product specification, Lecico reserve the right to do so without prior notification if necessary. All guarantees are against manufacturers defects. Full information on guarantees available upon request.