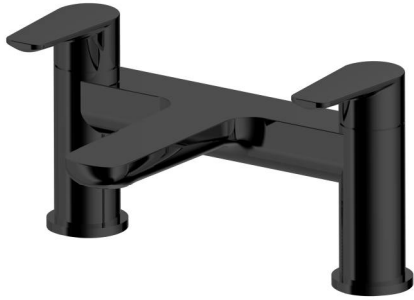


YASMINA BATH FILLER MATT BLACK



Product Code	TPYABFMB
Weight (Kg)	1.6
Material	Brass, zinc
Finish	Matt Black
Min Pressure	1
Max Pressure	5
<i>All pressure in bar. All flow in L/Min</i>	

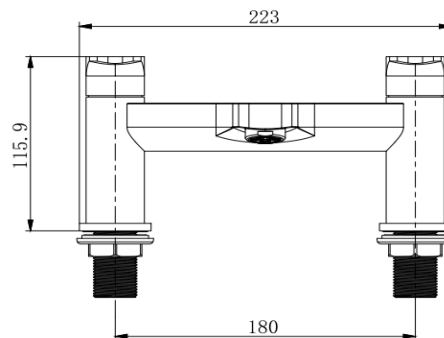
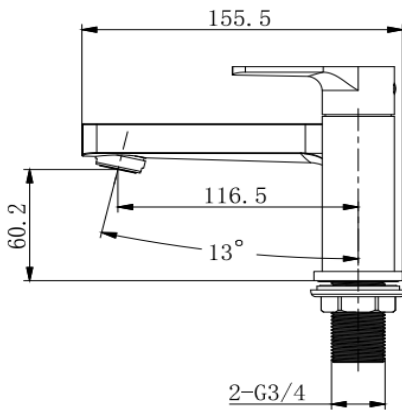


Key features:

- Matt black finish
- G3/4" BSP tails
- 1/4 turn ceramic disc valves
- Neoperl aerator
- Electroplated finish

Description:

The Yasmina deck mounted bath filler is crafted from a durable brass body with sleek matt black finish and zinc-alloy handles. Featuring 1/4 turn ceramic disc valves for smooth control and a Neoperl aerator for efficient water flow, it's designed to perform reliably across a wide pressure range of 1.0–5.0 bar.



Flow Rates (Litres per minute)

System Pressure	0.1 Bar	0.2 Bar	0.3 Bar	0.5 Bar	1.0 Bar	2.0 Bar	3.0 Bar	4.0 Bar	5.0 Bar	5.0 Bar
	-	-	-	1.7	4.2	6.8	8.6	10.2	11.5	62.0

All dimensions are approximate and subject to normal variation. Although every effort is made not to change the above product specification, Lecico reserve the right to do so without prior notification if necessary.

*Against manufacturers defects. Full information on guarantees available upon request.