

## YASMINA BATH FILLER BRUSHED GOLD



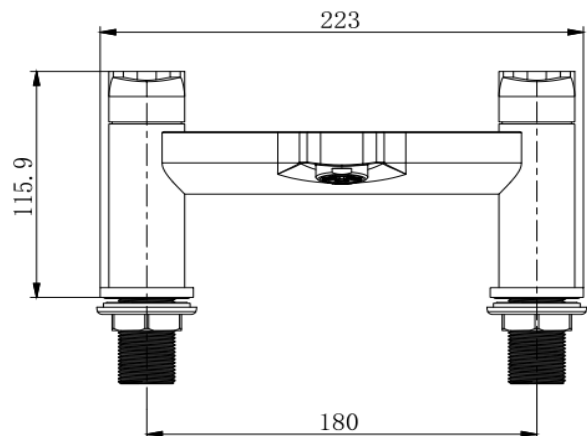
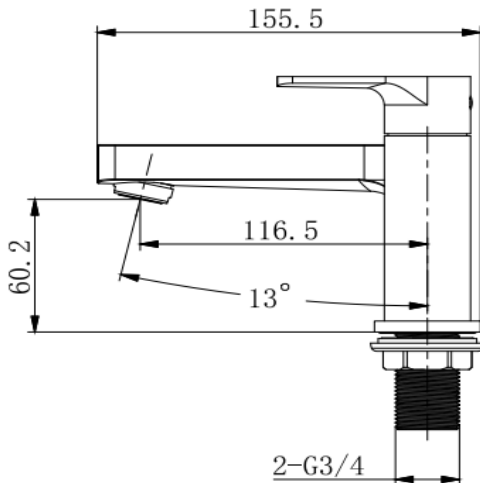
|   |                 |
|---|-----------------|
| <b>Product Code</b>                           | <b>TPYABFBG</b> |
| <b>Weight (Kg)</b>                            | 1.6             |
| <b>Material</b>                               | Brass, zinc     |
| <b>Finish</b>                                 | Brushed Gold    |
| <b>Min Pressure</b>                           | 1               |
| <b>Max Pressure</b>                           | 5               |
| <i>All pressure in bar. All flow in L/Min</i> |                 |

### Key features:

- Brushed gold finish
- G3/4" BSP tails
- 1/4 turn ceramic disc valves
- Neoperl aerator
- PVD coated

### Description:

The Yasmina deck mounted bath filler is crafted from a durable brass body with sleek brushed gold finish and zinc-alloy handles. Featuring ¼ turn ceramic disc valves for smooth control and a Neoperl aerator for efficient water flow, it's designed to perform reliably across a wide pressure range of 1.0–5.0 bar.



### Flow Rates (Litres per minute)

| System Pressure | 0.1 Bar | 0.2 Bar | 0.3 Bar | 0.5 Bar | 1.0 Bar | 2.0 Bar | 3.0 Bar | 4.0 Bar | 5.0 Bar | 5.0 Bar |
|-----------------|---------|---------|---------|---------|---------|---------|---------|---------|---------|---------|
|                 | -       | -       | -       | 1.7     | 4.2     | 6.8     | 8.6     | 10.2    | 11.5    | 62.0    |

All dimensions are approximate and subject to normal variation. Although every effort is made not to change the above product specification, Lecico reserve the right to do so without prior notification if necessary.

\*Against manufacturers defects. Full information on guarantees available upon request.