

SAMIRA TALL BASIN MIXER CHROME



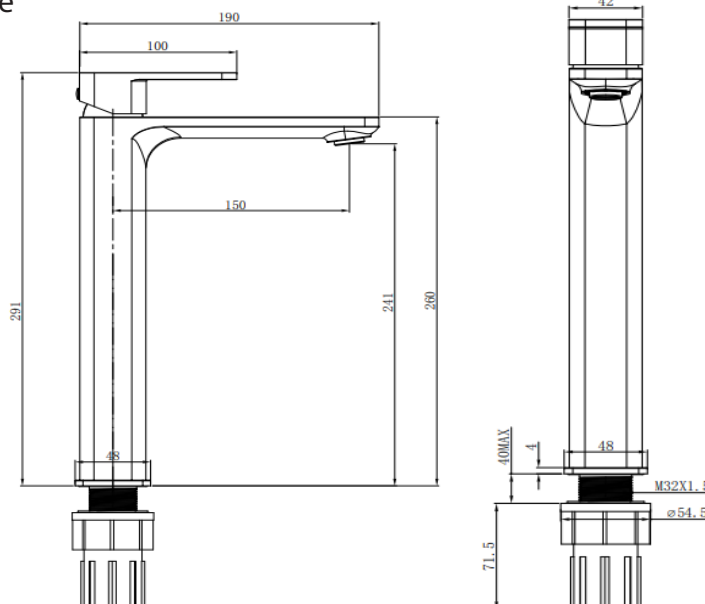
Product Code	TPSATMONCH
Weight (Kg)	1.5
Material	Brass, zinc
Finish	Chrome
Min Pressure	0.5
Max Pressure	5.0

Key features:

- Chrome finish
- Inlet connection: G 1/2" tail end M10 400mm hose
- 35mm ceramic cartridge
- Electroplated finish
- 10 year guarantee

Description:

The Samira basin mixer is crafted from a durable brass body with sleek chrome finish and zinc-alloy handles. The fitting features a WRAS approved SEDAL ceramic cartridge for reliable flow control and a Neoperl aerator.



Flow Rates (Litres per minute)

System Pressure	0.1 Bar	0.2 Bar	0.3 Bar	0.5 Bar	1.0 Bar	1.5 Bar	2.0 Bar	3.0 Bar	4.0 Bar	5.0 Bar
	-	-	-	2.3	2.7	-	3.8	4.0	4.2	4.4

All dimensions are approximate and subject to normal variation. Although every effort is made not to change the above product specification, Lecico reserve the right to do so without prior notification if necessary. All guarantees are against manufacturers defects. Full information on guarantees available upon request.