

## SAMIRA BASIN MIXER MATT BLACK



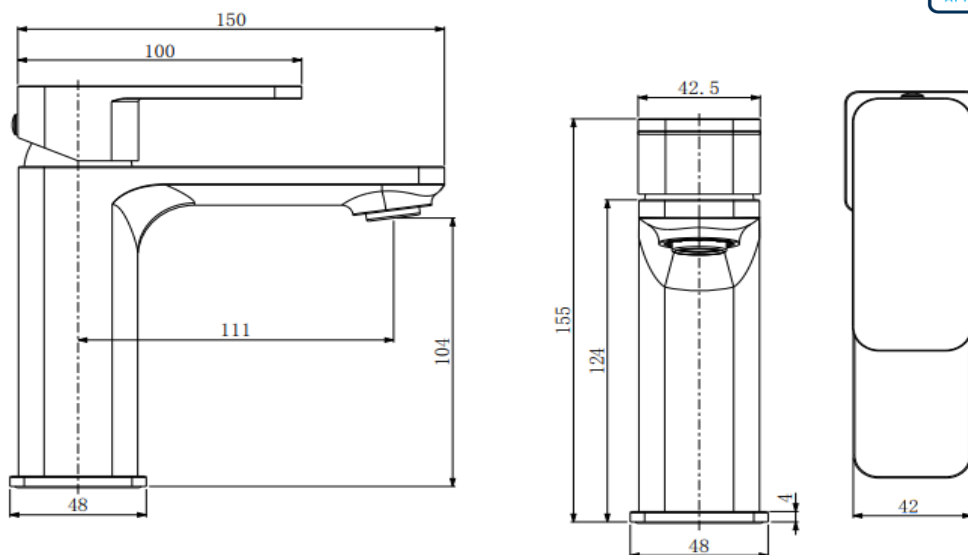
|                     |                  |
|---------------------|------------------|
| <b>Product Code</b> | <b>TPSAMONMB</b> |
| <b>Weight (Kg)</b>  | 0.93             |
| <b>Material</b>     | Brass, zinc      |
| <b>Finish</b>       | Matt black       |
| <b>Min Pressure</b> | 0.5              |
| <b>Max Pressure</b> | 5.0              |

### Key features:

- Matt black finish
- Inlet connection: G 1/2" tail end M10 400mm hose
- 35mm ceramic cartridge
- Electroplated finish
- 5 year guarantee

### Description:

The Samira basin mixer is crafted from a durable brass body with sleek chrome finish and zinc-alloy handles. The fitting features a WRAS approved SEDAL ceramic cartridge for reliable flow control and a Neop pearl aerator



### Flow Rates (Litres per minute)

| System Pressure | 0.1 Bar | 0.2 Bar | 0.3 Bar | 0.5 Bar | 1.0 Bar | 1.5 Bar | 2.0 Bar | 3.0 Bar | 4.0 Bar | 5.0 Bar |
|-----------------|---------|---------|---------|---------|---------|---------|---------|---------|---------|---------|
|                 | -       | -       | -       | 2.1     | 2.6     | -       | 3.6     | 3.9     | 4.2     | 4.3     |

All dimensions are approximate and subject to normal variation. Although every effort is made not to change the above product specification, Lecico reserve the right to do so without prior notification if necessary. All guarantees are against manufacturers defects. Full information on guarantees available upon request.