

## SAMIRA BASIN MIXER BRUSHED GOLD



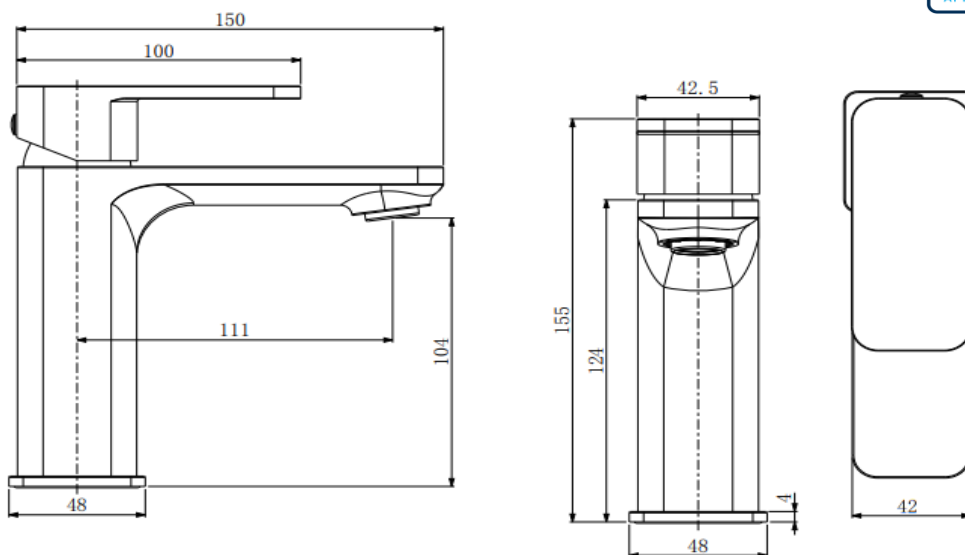
<b>Product Code</b>	<b>TPSAMONBG</b>
<b>Weight (Kg)</b>	1.5
<b>Material</b>	Brass, zinc
<b>Finish</b>	Brushed Gold
<b>Min Pressure</b>	0.5
<b>Max Pressure</b>	5.0

### Key features:

- Brushed gold finish
- Inlet connection: G 1/2" tail end M10 400mm hose
- 35mm ceramic cartridge
- PVD coated
- 5 year guarantee\*

### Description:

The Samira basin mixer is crafted from a durable brass body with sleek brushed gold finish and zinc-alloy handles. The fitting features a WRAS approved SEDAL ceramic cartridge for reliable flow control and a Neoppearl aerator



### Flow Rates (Litres per minute)

System Pressure	0.1 Bar	0.2 Bar	0.3 Bar	0.5 Bar	1.0 Bar	1.5 Bar	2.0 Bar	3.0 Bar	4.0 Bar	5.0 Bar
	-	-	-	2.1	2.6	-	3.6	3.9	4.2	4.3

All dimensions are approximate and subject to normal variation. Although every effort is made not to change the above product specification, Lecico reserve the right to do so without prior notification if necessary. All guarantees are against manufacturers defects. Full information on guarantees available upon request.