

SAMIRA BATH SHOWER MIXER (GUNMETAL GREY)



Product Code	TPSABSMGM
Weight (Kg)	3.4
Material	Brass, zinc
Finish	Gunmetal Grey
Min Pressure	0.5
Max Pressure	5.0

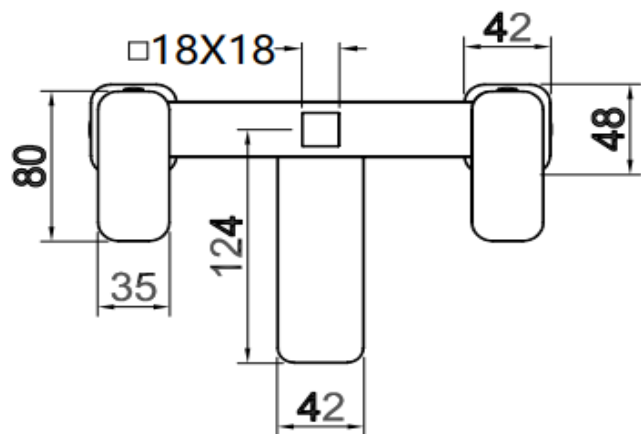
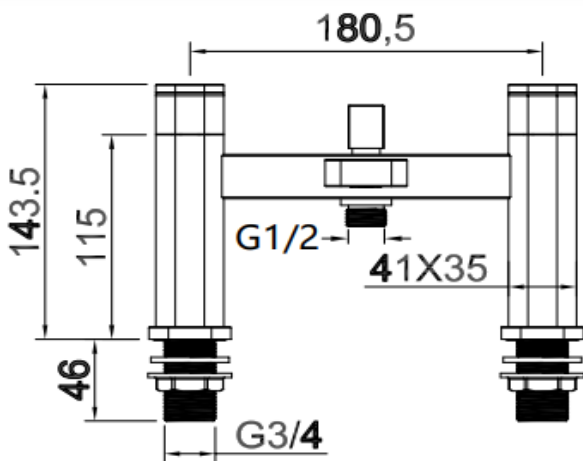


Key features:

- Gunmetal grey finish
- G3/4" BSP tails
- 1/4 turn ceramic disc valves
- Neoperl aerator
- PVD coated

Description:

The Samira bath shower mixer is made from solid brass with zinc handles. Its soft square design makes it a versatile option for styling. Suitable for all plumbing systems, preferably balanced.



Flow Rates (Litres per minute)

System Pressure	0.1 Bar	0.2 Bar	0.3 Bar	0.5 Bar	1.0 Bar	1.5 Bar	2.0 Bar	3.0 Bar	4.0 Bar	5.0 Bar
Spout	-	-	-	1.7	4.3	-	6.8	8.7	10.2	11.6
Handset	-	-	-	2.2	4.9	-	7.2	8.2	8.4	8.2

All dimensions are approximate and subject to normal variation. Although every effort is made not to change the above product specification, Lecico reserve the right to do so without prior notification if necessary. All guarantees are against manufacturers defects. Full information on guarantees available upon request.