

SAMIRA BATH FILLER (CHROME)



Product Code	TPSABFCH
Weight (Kg)	3.2
Material	Brass, zinc
Finish	Chrome
Min Pressure	0.5
Max Pressure	5.0



Flow Rates (Litres per minute)

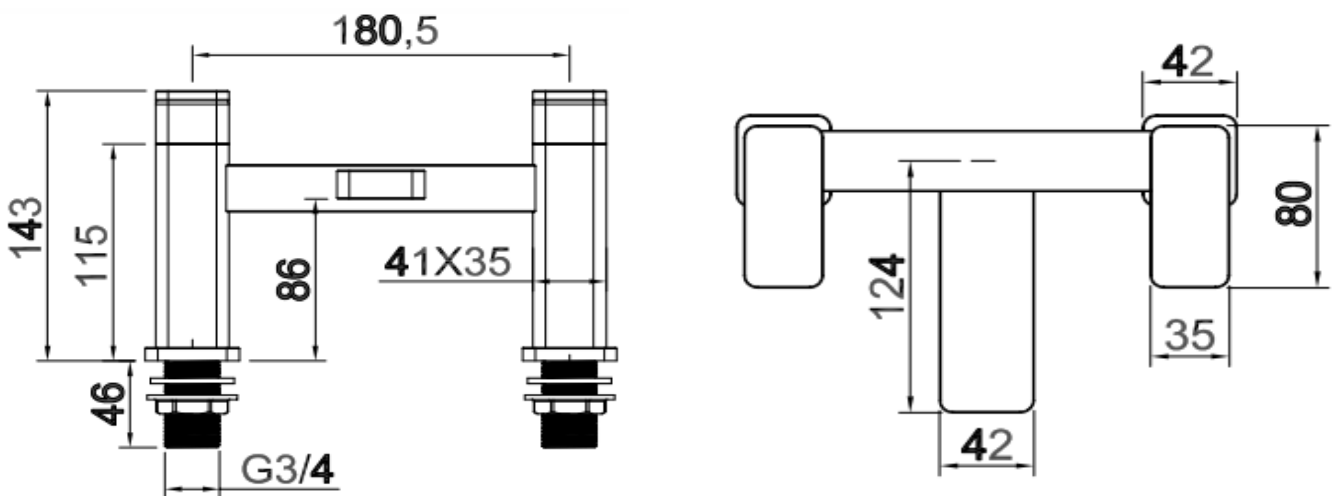
System Pressure	0.1 Bar	0.2 Bar	0.3 Bar	0.5 Bar	1.0 Bar	1.5 Bar	2.0 Bar	3.0 Bar	4.0 Bar	5.0 Bar
	-	-	-	1.8	4.3	-	6.8	8.7	10.3	11.6

Key features:

- Chrome finish
- G3/4" BSP tails
- 1/4 turn ceramic disc valves
- Neoperl aerator
- Electroplated finish

Description:

The Samira bath filler is made from solid brass with zinc handles. Its soft square design makes it a versatile option for styling. Suitable for all plumbing systems, preferably balanced.



All dimensions are approximate and subject to normal variation. Although every effort is made not to change the above product specification, Lecico reserve the right to do so without prior notification if necessary. All guarantees are against manufacturers defects. Full information on guarantees available upon request.