

AMANI BASIN MIXER CHROME



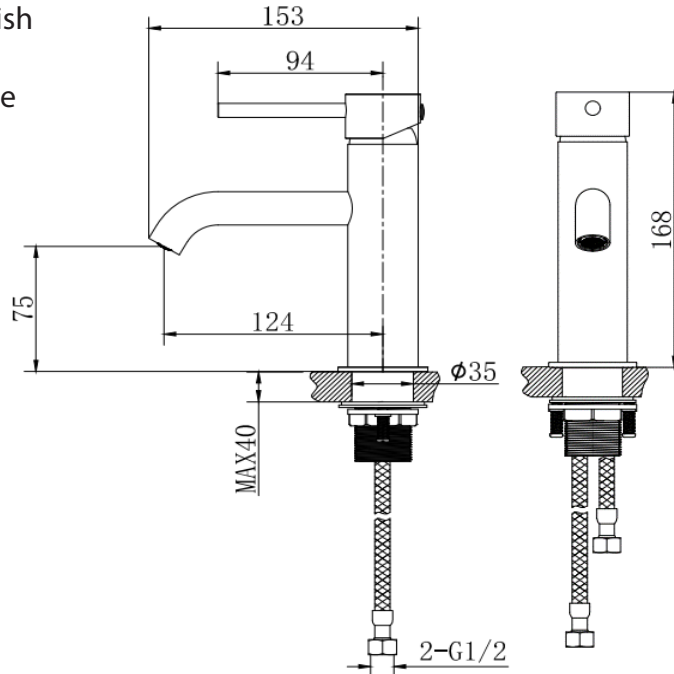
Product Code	TPAMMONCH
Weight (Kg)	1.38
Material	Brass, zinc
Finish	Chrome
Min Pressure	0.5
Max Pressure	5.0
<i>All pressure in bar. All flow in L/Min</i>	

Key features:

- Chrome finish
- Inlet connection: M10 x 350mm G½" BSP female flexi tails
- Neoperl aerator
- Electroplated finish
- Sedal cartridge
- 10 year guarantee

Description:

A contemporary brass mono mixer with chrome plating, designed for balanced hot and cold supplies across 0.5–5.0 bar. The fitting features a WRAS approved SEDAL ceramic cartridge for reliable flow control.



Flow Rates (Litres per minute)

System Pressure	0.1 Bar	0.2 Bar	0.3 Bar	0.5 Bar	1.0 Bar	1.5 Bar	2.0 Bar	3.0 Bar	4.0 Bar	5.0 Bar
	-	-	-	2.1	2.6	-	3.6	3.9	4.2	4.3

All dimensions are approximate and subject to normal variation. Although every effort is made not to change the above product specification, Lecico reserve the right to do so without prior notification if necessary. All guarantees are against manufacturers defects. Full information on guarantees available upon request.