

# AMANI BATH SHOWER MIXER CHROME



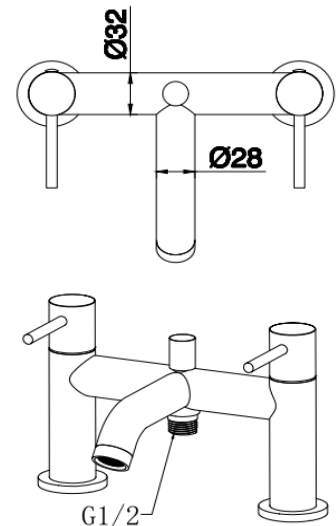
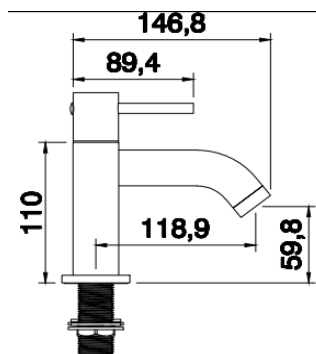
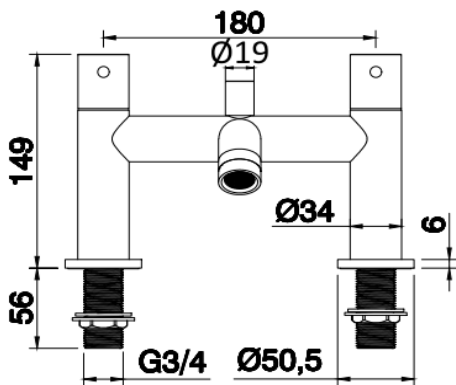
<b>Product Code</b>	<b>TPAMBSMCH</b>
<b>Weight (Kg)</b>	2.63
<b>Material</b>	Brass, zinc
<b>Finish</b>	Chrome
<b>Min Pressure</b>	0.5
<b>Max Pressure</b>	5.0

**Key features:**

- Neoperl aerator
- Ceramic disc valves
- G<sup>3</sup>/<sub>4</sub>" BSP tails
- Complies with BS5412, BS EN200
- Electroplated finish
- WRAS approved

**Description:**

A contemporary bath shower mixer with zinc-alloy handles. Designed for balanced hot and cold systems. Fitted with a Neoperl aerator and ceramic disc valves for smooth control and durability. Supplied with 1.5 m smooth PVC hose, outlet hose elbow, single-mode brass handset and wall-mounted ABS handset holder.



**Flow Rates (Litres per minute)**

System Pressure	0.1 Bar	0.2 Bar	0.3 Bar	0.5 Bar	1.0 Bar	1.5 Bar	2.0 Bar	3.0 Bar	4.0 Bar	5.0 Bar
<b>Spout</b>	-	-	-	1.7	4.3	-	6.8	8.7	10.2	11.6
<b>Handset</b>	-	-	-	2.2	4.9	-	7.2	8.2	8.4	8.2

All dimensions are approximate and subject to normal variation. Although every effort is made not to change the above product specification, Lecico reserve the right to do so without prior notification if necessary. All guarantees are against manufacturers defects. Full information on guarantees available upon request.