

AMANI BATH FILLER BRUSHED GOLD



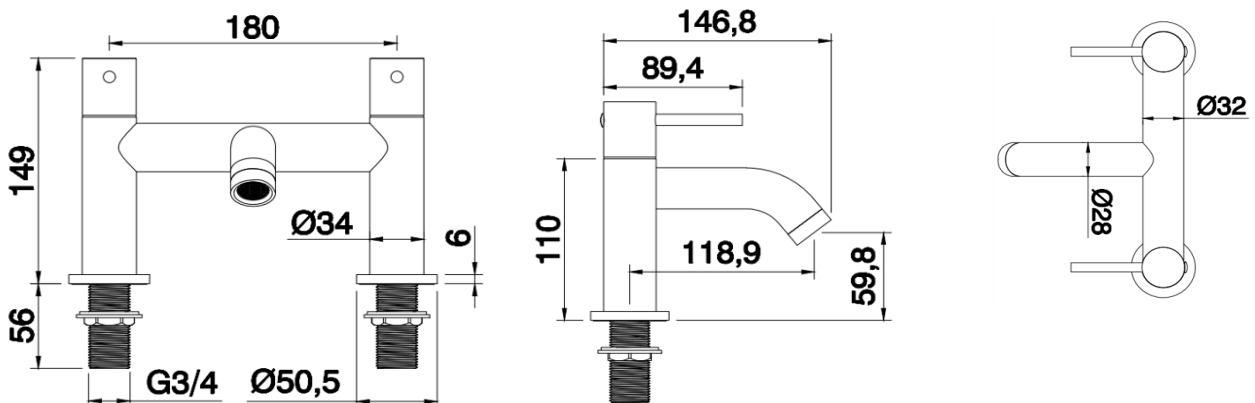
Product Code	TPAMBFBG
Weight (Kg)	1.5
Material	Brass, zinc
Finish	Brushed Brass
Min Pressure	0.5
Max Pressure	5.0

Key features:

- Neoperl aerator
- Ceramic disc valves
- G³/₄" BSP tails
- Complies with BS5412, BS EN200
- PVD coated
- WRAS approved

Description:

Elegantly rounded design, Amani is an ideal partner for soft edges and round suites. Made from solid brass with zinc handles, all in a brushed gold finish. It is suitable for use with all plumbing systems with a minimum operating pressure of 0.5 bar.



Flow Rates (Litres per minute)

System Pressure	0.1 Bar	0.2 Bar	0.3 Bar	0.5 Bar	1.0 Bar	1.5 Bar	2.0 Bar	3.0 Bar	4.0 Bar	5.0 Bar
	-	-	-	1.8	4.3	-	6.8	8.7	10.3	11.6

All dimensions are approximate and subject to normal variation. Although every effort is made not to change the above product specification, Lecico reserve the right to do so without prior notification if necessary. All guarantees are against manufacturers defects. Full information on guarantees available upon request.