

# Atlas

## UNIVERSAL SEAT WITH STAINLESS STEEL HINGES



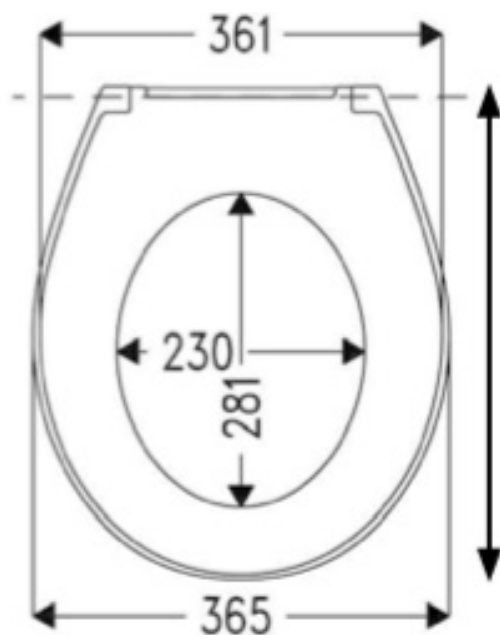
<b>Product Code</b>	<b>STWHSSUNP</b>
<b>Weight (Kg)</b>	1.3
<b>Material</b>	Plastic
<b>Soft close</b>	No
<b>Colour</b>	White
<b>Fixing</b>	Bottom Fix

### Key features:

- Standard hinge is stainless steel
- Fast Fix hinge kit with standard seat
- CE compliant

### Description:

Made from highly durable thermoplast, this seat is available with either a standard or soft close hinge.



All dimensions are approximate and subject to normal variation. Although every effort is made not to change the above product specification, Lecico reserve the right to do so without prior notification if necessary. All guarantees are against manufacturers defects. Full information on guarantees available upon request.