

Atlas

ATLAS TRADE 55CM BASIN 2TH



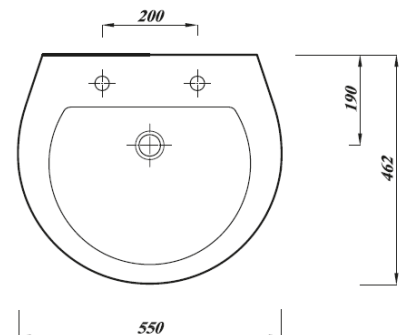
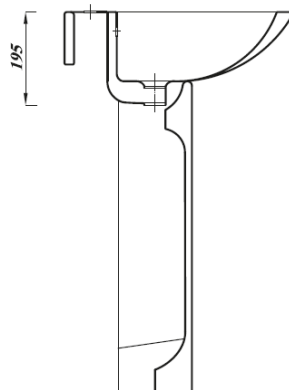
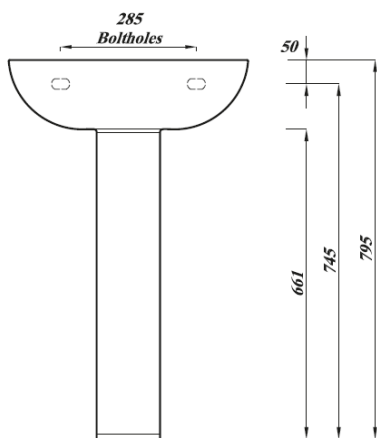
Product Code	SKWHBA2
Weight (Kg)	12.3
Material	Vitreous China
Tap holes	2
Fixings	Bracket - BRACK / Fixing bolts - FBWB
Extras	Bottle trap - BOTRAPCH Waste - TPOPRNEW / TPOPUNS
Suitable Pedestals	Full ped - SKWHPE Semi ped - NLGWHSPE

Key features:

- UKCA Compliant
- Internal overflow
- Clean design
- Includes chainstay hole

Description:

Simple styling never goes out of fashion.



All dimensions are approximate and subject to normal variation. Although every effort is made not to change the above product specification, Lecico reserve the right to do so without prior notification if necessary. All guarantees are against manufacturers defects. Full information on guarantees available upon request.