

SHOWER WASTE 90MM CHROME



Product Code	SHWSTCH
Colour	Chrome
Weight (Kg)	0.38
Material	Stainless Steel, ABS

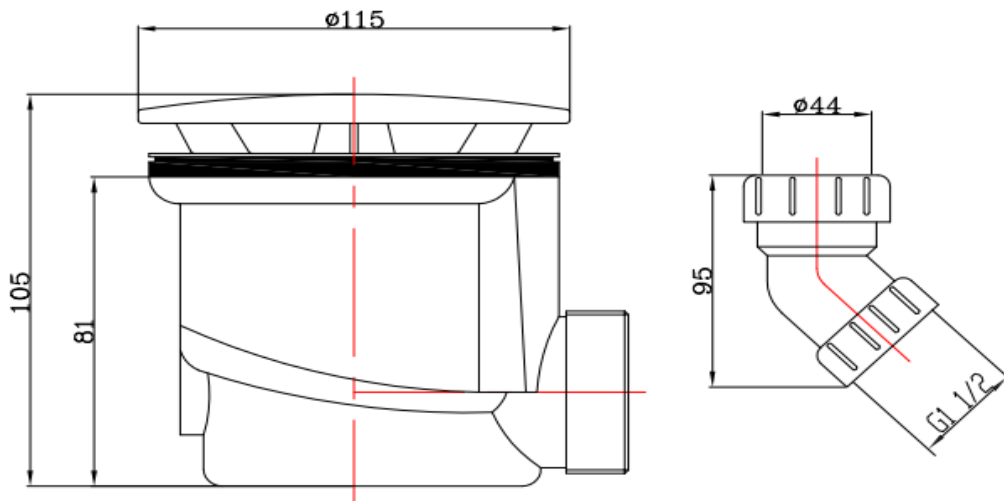
Key features:

- G1-1/2" BSP Male thread
- Modern design
- Brass body
- Electroplated finish

Description:

Min. 0.2 bar, Max. 5.0 bar

A compact 90 mm shower tray waste constructed from stainless steel and ABS, chrome plated to BS EN 248 for long-term corrosion resistance. Compatible with standard 1½" BSP shower tray outlets.



All dimensions are approximate and subject to normal variation. Although every effort is made not to change the above product specification, Lecico reserve the right to do so without prior notification if necessary.

*Against manufacturers defects. Full information on guarantees available upon request.