

RAMIRA ROUND THERMO SHOWER VALVE WITH RISER KIT GUNMETAL GREY



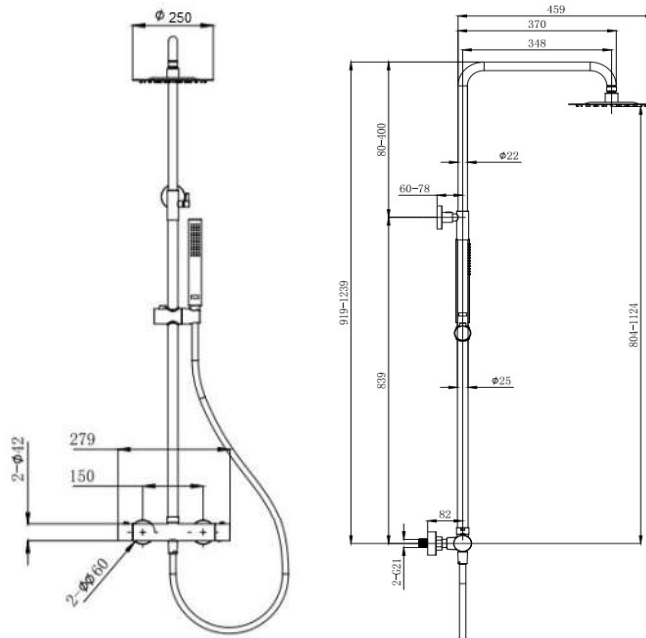
| | |
|---|-------------------|
| Product Code | SHRATSMKGM |
| Weight (Kg) | 4.5 |
| Material | Brass, ABS |
| Finish | Gunmetal Grey |
| Min Pressure | 0.5 |
| Max Pressure | 5.0 |
| <i>All pressure in bar. All flow in L/Min</i> | |

Key features:

- Easy fit brass connectors
- G1/2" outlet connection
- Pre-set to 38°C (with override to 48°C)
- PVD coated
- Integrated check valve

Description:

A contemporary thermostatic shower. Integrated ceramic disc diverter for reliable control. Includes a brass single-mode handset, PVC 1.5 m hose, and telescopic adjustable stainless steel riser rail. Featuring Cool Touch bar-valve technology and automatic shut-off



Flow Rates (Litres per minute)

| System Pressure | 0.1 Bar | 0.2 Bar | 0.3 Bar | 0.5 Bar | 1.0 Bar | 1.5 Bar | 2.0 Bar | 3.0 Bar | 4.0 Bar | 5.0 Bar |
|-------------------|---------|---------|---------|---------|---------|---------|---------|---------|---------|---------|
| Handset | - | - | - | 2.2 | 4.8 | - | 7.3 | 8.2 | 8.4 | 8.3 |
| Showerhead | - | - | - | 2.3 | 4.9 | - | 7.4 | 8.2 | 8.4 | 8.3 |

All dimensions are approximate and subject to normal ceramic variation. Although every effort is made not to change the above product specific tion, Lecico reserve the right to do so without prior notific tion if necessary. *Against manufacturers defects. Full information on guarantees available upon request.