

RAMIRA 3 OUTLET 3 HANDLE CONCEALED SHOWER MIXER WITH DIVERTER VALVE MATT BLACK



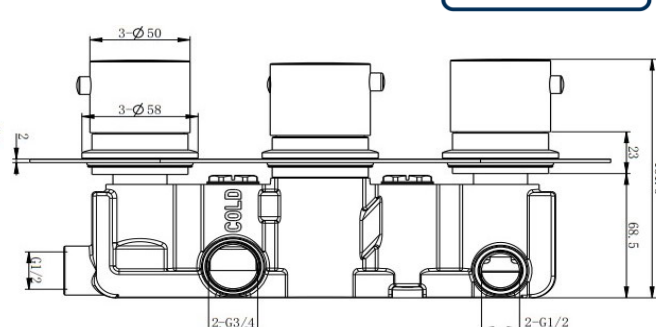
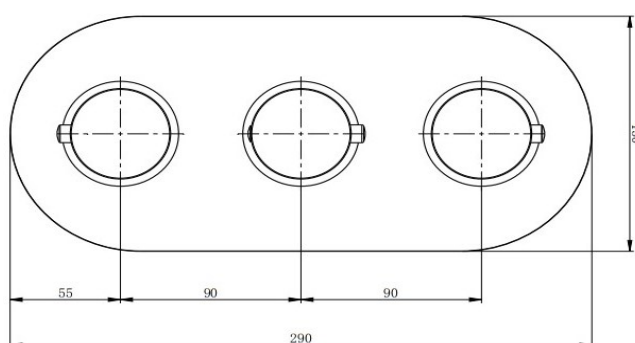
Product Code	SHRA3COMB
Weight (Kg)	3.63
Material	Brass, zinc, stainless steel
Finish	Matt Black
Min Pressure	0.1
Max Pressure	5.0
<i>All pressure in bar. All flow in L/Min</i>	

Key features:

- Thermostatic cartridge
- Integrated ceramic disc valve diverter
- DN20 check valve
- Pre-set to 38°C with override to 48°C
- Electroplated finish

Description:

A contemporary concealed thermostatic valve with brass body (CC757S), stainless steel faceplate and zinc-alloy handles, finished in matt black. Designed for balanced hot and cold systems operating between 0.1–5.0 bar. Fitted with a WRAS-approved thermostatic cartridge and ceramic disc valves. Includes G $\frac{3}{4}$ " inlets / G $\frac{1}{2}$ " and G $\frac{3}{4}$ " outlets. Featuring automatic shut-off, anti-calc cartridge and interchangeable design for horizontal or vertical installation.



Flow Rates (Litres per minute)

System Pressure	0.1 Bar	0.2 Bar	0.3 Bar	0.5 Bar	1.0 Bar	2.0 Bar	3.0 Bar	4.0 Bar	5.0 Bar
Top outlet (turn left)	4.5	7.1	-	9.1	12.8	18.0	22.6	26.3	28.1
Top outlet (turn right)	4.6	7.3	-	9.4	13.3	19.0	23.2	26.7	29.7
Bottom outlet	5.1	7.9	-	10.4	14.4	21.2	24.3	25.7	29.3

All dimensions are approximate and subject to normal ceramic variation. Although every effort is made not to change the above product specification, Lecico reserve the right to do so without prior notification if necessary. *Against manufacturers defects. Full information on guarantees available upon request.