

RAMIRA 2 OUTLET 3 HANDLE CONCEALED SHOWER MIXER VALVE GUNMETAL GREY



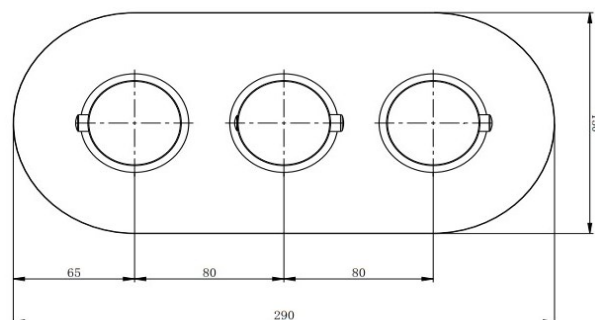
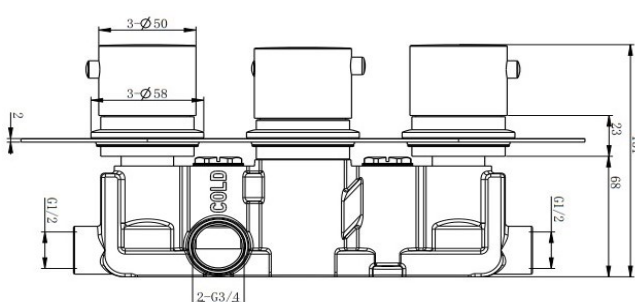
Product Code	SHRA2CODVGM
Weight (Kg)	3.5
Material	Brass, zinc, stainless steel
Finish	Gunmetal Grey
Min Pressure	0.1
Max Pressure	5.0
<i>All pressure in bar. All flow in L/Min</i>	

Key features:

- Thermostatic cartridge
- Integrated ceramic disc valve diverter
- DN20 check valve
- PVD Coated

Description:

A contemporary concealed thermostatic valve with brass body (CC757S), stainless steel faceplate and zinc-alloy handles, finished in gunmetal grey. Fitted with a WRAS-approved thermostatic cartridge and twin ceramic disc valves for precise temperature control and reliability. Includes G³/₄" inlets / G¹/₂" outlets. Pre-set to 38°C with override to 48°C, featuring automatic shut-off, anti-calc cartridge and interchangeable design for horizontal or vertical installation.



Flow Rates (Litres per minute)

System Pressure	0.1 Bar	0.2 Bar	0.3 Bar	0.5 Bar	1.0 Bar	2.0 Bar	3.0 Bar	4.0 Bar	5.0 Bar
Top outlet	5.0	7.7	-	10.3	14.1	20.6	23.5	25.3	28.4
Bottom outlet	5.1	7.9	-	10.3	14.3	20.9	24.1	25.6	29.1

All dimensions are approximate and subject to normal ceramic variation. Although every effort is made not to change the above product specification, Lecico reserve the right to do so without prior notification if necessary. *Against manufacturers defects. Full information on guarantees available upon request.