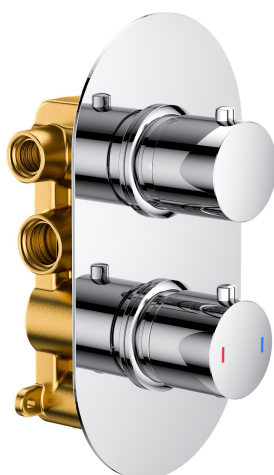


RAMIRA 2 OUTLET 2 HANDLE CONCEALED SHOWER MIXER WITH DIVERTER VALVE CHROME



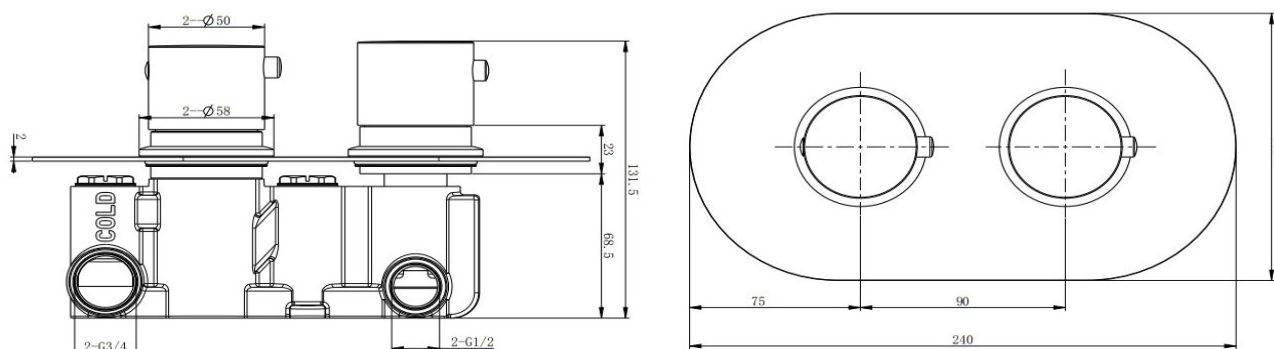
Product Code	SHRA2COCH
Weight (Kg)	2.6
Material	Brass, zinc, stainless steel
Finish	Chrome
Min Pressure	0.1
Max Pressure	5.0
<i>All pressure in bar. All flow in L/Min</i>	

Key features:

- Thermostatic cartridge
- Integrated ceramic disc valve diverter
- DN20 check valve
- Electroplated finish

Description:

A concealed thermostatic shower valve with dual controls in a brushed chrome. Built with a CC757S brass body, SS201 stainless steel faceplate, and zinc alloy handles, it combines durability with a contemporary look. Operating from 0.1 bar (handset and shower head) up to 5.0 bar, with hot and cold supplies preferably balanced and a maximum pressure differential of 5:1. Inlets and outlets are two G3/4" BSP female threads.



Flow Rates (Litres per minute)

System Pressure	0.1 Bar	0.2 Bar	0.3 Bar	0.5 Bar	1.0 Bar	2.0 Bar	3.0 Bar	4.0 Bar	5.0 Bar
Top outlet (turn left)	4.5	7.1	-	9.1	12.8	18.1	22.8	26.2	28.3
Top outlet (turn right)	4.7	7.4	-	9.4	13.4	19.0	23.2	27.1	29.9

All dimensions are approximate and subject to normal ceramic variation. Although every effort is made not to change the above product specification, Lecico reserve the right to do so without prior notification if necessary. *Against manufacturers defects. Full information on guarantees available upon request.