

Atlas

LOW LEVEL LEVER CISTERN INC FITTINGS FOR SCHOOL PANS 4/2.6 LTR



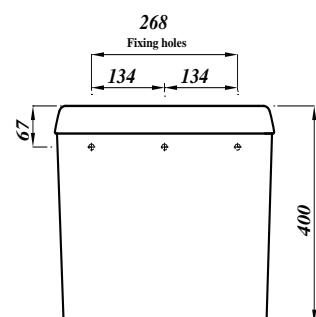
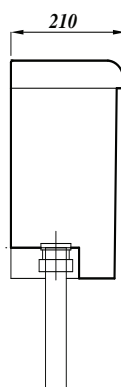
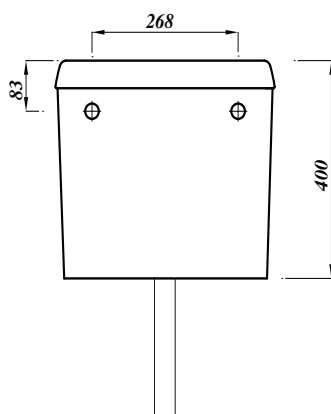
Product Code	SCWHPCI
Flushing Volume (Ltr)	4Ltr mono flush
Weight (Kg)	14
Cistern fittings included	Yes
Pre-installed/Bagged	Bagged
Material	Vitreous China
Flushing Mechanism	Dual Flush Lever
Inlet	Bottom Inlet

Key features:

- CE compliant
- Bottom Inlet

Description:

Designed for school and early years settings. The cistern is specifically engineered to be used in a low level configuration.



All dimensions are approximate and subject to normal variation. Although every effort is made not to change the above product specification, Lecico reserve the right to do so without prior notification if necessary. All guarantees are against manufacturers defects. Full information on guarantees available upon request.