

Atlas

LEFT OR RIGHT HANDED 46CM BASIN DOC M PACK (WHITE RAILS)



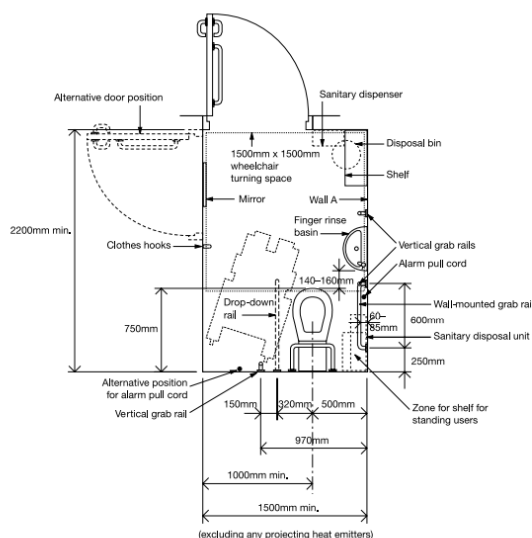
Product Code	EDOCM
Weight (Kg)	53.5
Material	Vitreous China, Mixed Plastics and Metals
Tap Holes	Two tap hole basin supplied with a tap hole stopper
Grab Rails	Exposed White Rails
Tap	Sequential Lever Tap (not TMV3)
Inlet	Bottom Inlet - LH or RH
Flushing Volume (L)	6ltr Single Flush
RAL Colour	White - 9016
LRV	87.67

Included in Pack:

- 1x 46 cm LH or RH Basin (No Overflow) inc grate with brackets
- 1x Sequential lever tap
- 5x 60cm Grab rails & 1x Hinged grab rail
- 1x Raised Height Pan and a ringed seat
- 1x Cistern & Fittings Inc Spatula Lever

Description:

Document M of the Building Regulations (2004) and BS waste 8300-2009 provide government guidance on the layouts of an accessible wash-room in non-domestic settings. It ensures consistent levels of installation and function designed for all users. UKCA Compliant and WRAS Approved.



Note
Layout for right-hand transfer to WC

All dimensions are approximate and subject to normal variation. Although every effort is made not to change the above product specification, Lecico reserve the right to do so without prior notification if necessary. All guarantees are against manufacturers defects. Full information on guarantees available upon request.

Atlas

DOC M 18X11 BASIN 2TH (NO OVERFLOW OR CHAIN STAY HOLE)



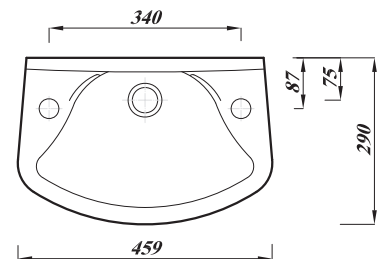
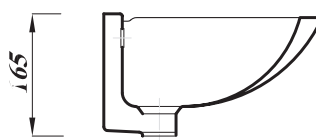
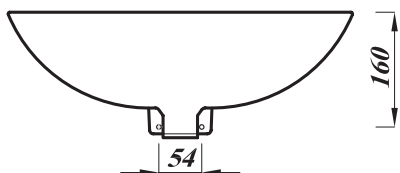
Product Code	DASWH18BA
Weight (Kg)	6.3
Material	Vitreous China
Tap holes	2
Fixings	Bracket - BRACK / Fixing bolts - FBWB
Extras	Grated waste - DGRWASTE / Bottle trap - BOTRAPCH

Key features:

- UKCA compliant
- No overflow
- Compact design
- 35mm tap holes
- Includes a white tap hole blanking plug
- Lifetime ceramic guarantee*

Description:

The economy DocM basin features two tap holes, is ideal for commercial applications and is compliant with LANTAC. This basin has no overflow or chain-stay hole and can be left or right handed, to ensure the tap is closest to the WC.



All dimensions are approximate and subject to normal variation. Although every effort is made to change the above product specification, Lecico reserve the right to do so without prior notification if necessary. All guarantees are against manufacturers defects. Full information on guarantees available upon request.

Atlas

SEQUENTIAL LEVER ACTION MONO MIXER TAP



Product Code	DMIXER
Weight (Kg)	1.02
Material	Chrome
Min Pressure	0.2 bar
Min Pressure	5 bar

Accreditation:



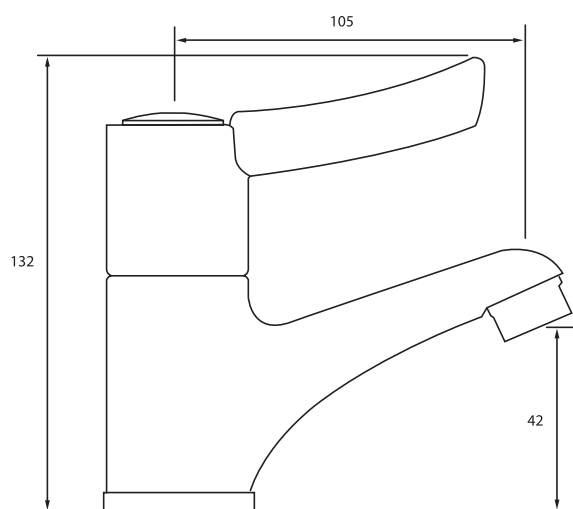
2107134

Key features:

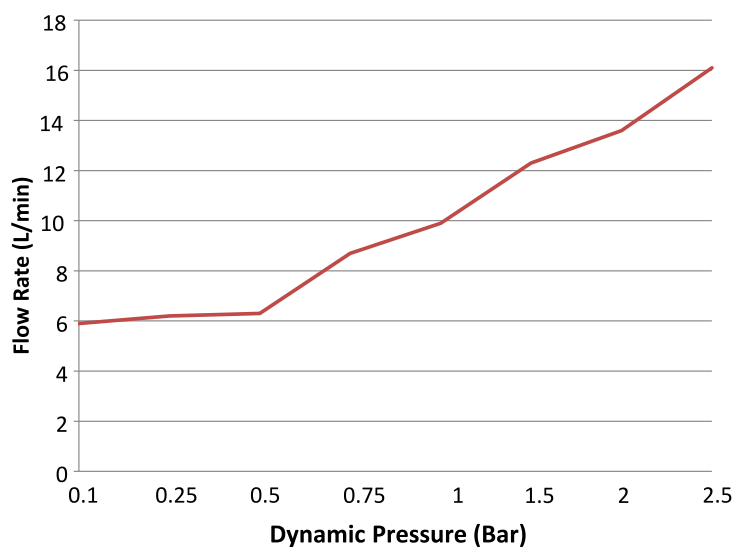
- Ceramic disc
- Simple lever operation
- Reinforced cartridge for heavy duty use
- WRAS approved
- 5 year guarantee*

Description:

The lever operated sequential basin mixer tap is ideal for less able users. The flat lever allows the user to operate the tap, even with limited dexterity. The smooth operation of the reinforced cartridge ensures strength and durability.



Flow Rates



All dimensions are approximate and subject to normal variation. Although every effort is made to change the above product specification, Lecico reserve the right to do so without prior notification if necessary. All guarantees are against manufacturers defects. Full information on guarantees available upon request.

Lecico
bathrooms
a great deal more

Atlas

DOC M CC LEVER CISTERN (SHELL ONLY) LH & RH



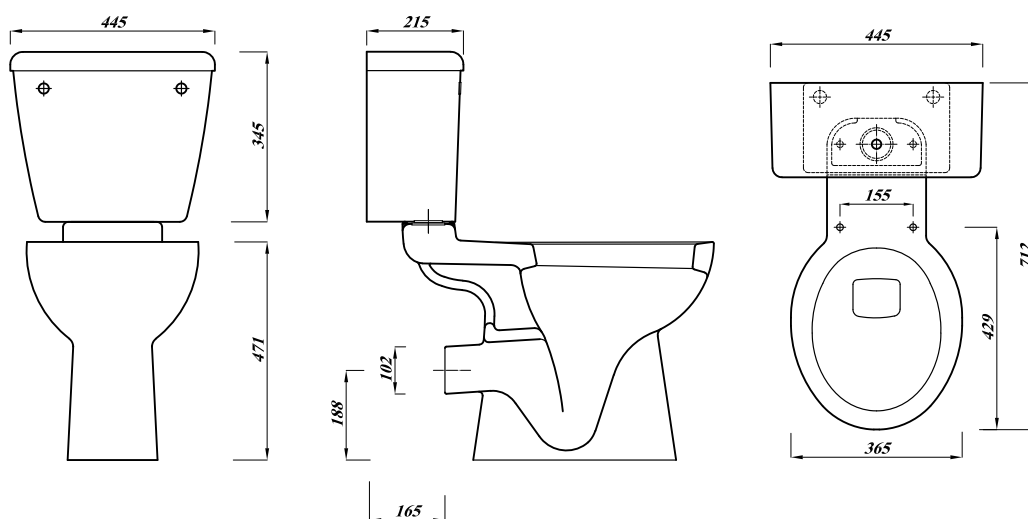
Product Code	DOCMCI
Weight (Kg)	13.7
Material	Vitreous china
Flushing Volume (L)	6ltr Single Flush
Flushing Mechanism	Lever Action - left or right hand
Inlet	Bottom Inlet
Cistern fittings included	No - (CPKDOC Required)
Pre-Installed/Bagged	N/A

Key features:

- Cistern fittings required - CPKDOC
- UKCA compliant
- Easy operate single flush mechanism
- Lockable Lid by screw
- Dual Punched

Description:

This comfort height cistern is designed to be fully compliant with DocM. When used in conjunction with other dedicated DocM products from the Lecico range and following the official Lantac room layout, this combination ensures statutory compliance.



All dimensions are approximate and subject to normal variation. Although every effort is made not to change the above product specification, Lecico reserve the right to do so without prior notification if necessary. All guarantees are against manufacturers defects. Full information on guarantees available upon request.

Atlas

DOC M CLOSE COUPLED PAN (460 HIGH)



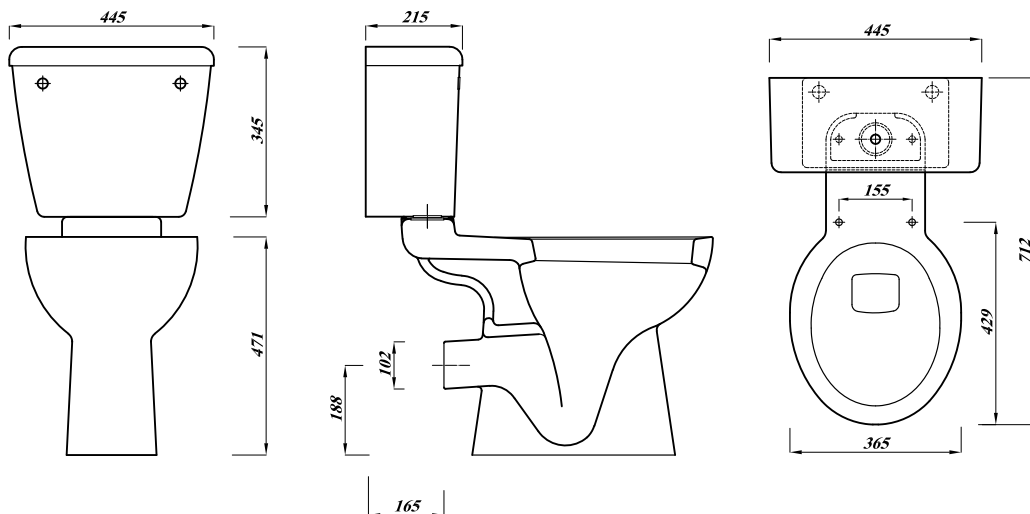
Product Code	DOCMNPAN
Weight (Kg)	18.4kg
Material	Vitreous China
Flushing Volume (L)	6ltr Single Flush
Colour	White
Suitable Ring Seats - No lid	White - STWHRING2 Blue - STDBRING2 Grey - STGRRING2
Suitable Ring Seats - With Lid	White - STWHLRING Blue - STDBLRING Grey - STGRLRING
Suitable Anti-lateral seats	White - STRINGALWH Blue - STRINGALBL Grey - STRINGALGR
Suitable Cistern	DOCMCI

Key features:

- Horizontal outlet
- UKCA compliant
- Classic close coupled design
- Raised height

Description:

This comfort height WC is designed to be fully compliant with DocM. Its raised height and 750mm projection makes transferring to and from a wheelchair easier. When used in conjunction with other dedicated DocM products from the Lecico range and following the official DocM room layout, this combination ensures statutory compliance.



All dimensions are approximate and subject to normal variation. Although every effort is made not to change the above product specification, Lecico reserve the right to do so without prior notification if necessary. All guarantees are against manufacturers defects. Full information on guarantees available upon request.

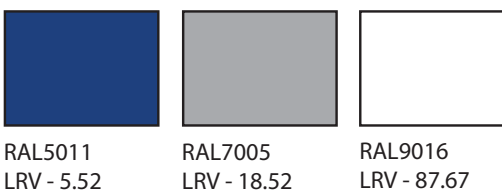
Atlas

GRAB RAIL PACK- 600MM - EXPOSED FIXING - WHITE



Product Code	EDMWHPACK
Weight (Kg)	7.8
Material	Steel
Colour	White

Blue: EDMBLPACK
White: EDMWHPACK
Grey: EDMGRPACK
Dark Grey: EDMDGPACK

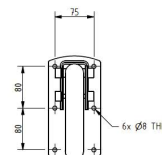
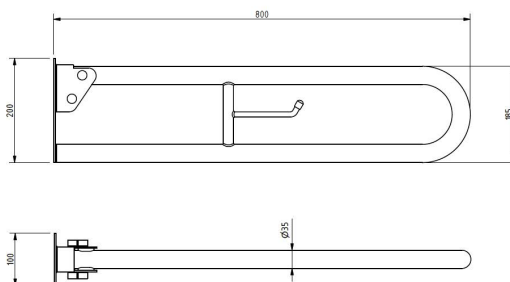
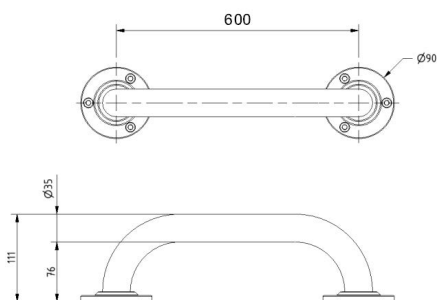


Key features:

- 5 x 600mm length grab rails
- 1 x 800mm Hinged rail
- Exposed fixings
- Colour options provide contrast options from the wall

Description:

Designed with the user in mind, these grab rails help to provide extra points of contact around the room making the bathroom more accessible. These rails are for use where additional assistance may be required.



All dimensions are approximate and subject to normal variation. Although every effort is made not to change the above product specification, Lecico reserve the right to do so without prior notification if necessary. All guarantees are against manufacturers defects. Full information on guarantees available upon request.

Atlas

WHITE RING SEAT - NO LID



Shown: Ring seat
STWHRING2

Product Code	STWHRING2
Weight (Kg)	1
Material	Plastic
Soft close	No
Colour	White
Fixing	Bottom Fix

White: STWHRING2

Blue: STDBRING2

Grey: STGRRING2



White



Dark blue



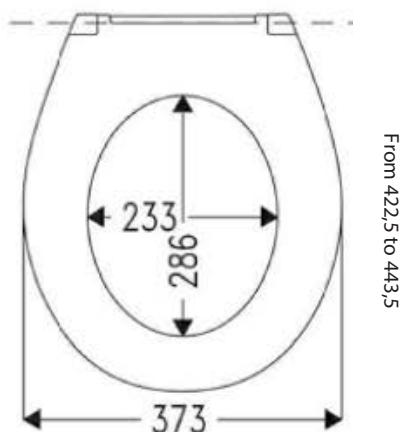
Grey

Key features:

- UKCA Compliant
- Durable design
- Available in a choice of 3 colours

Description:

Made from highly durable thermoset plastic, this ring seat comes supplied with stainless steel hinges and is perfect for high traffic areas. Its durable design is chemical, flame and scratch resistant.



All dimensions are approximate and subject to normal variation. Although every effort is made not to change the above product specification, Lecico reserve the right to do so without prior notification if necessary. All guarantees are against manufacturers defects. Full information on guarantees available upon request.