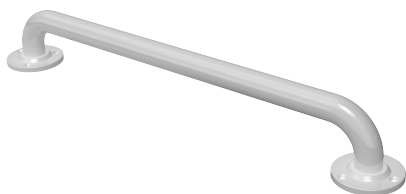


Atlas

GRAB RAIL - 600MM - EXPOSED FIXING - WHITE



Product Code	EDMWHGRAB
Weight (Kg)	1kg
Material	Steel
Colour	White

Blue: EDMBGRAB

White: EDMWHGRAB

Grey: EDMGRGRAB



RAL5011
LRV - 5.52



RAL7005
LRV - 18.52



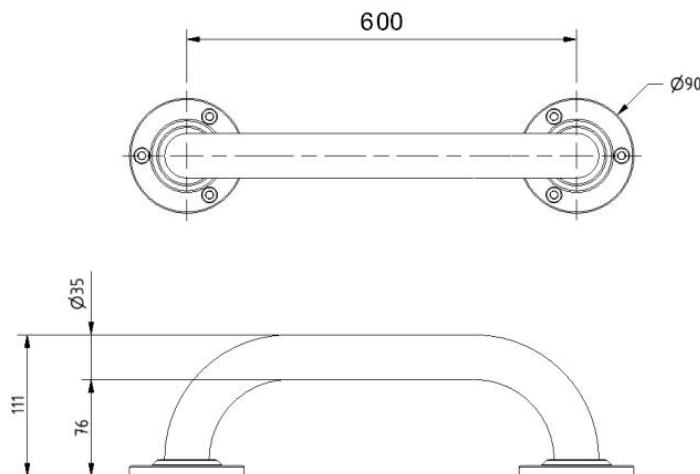
RAL9016
LRV - 87.67

Key features:

- 600mm length
- Exposed fixings
- Colour options provide contrast options from the wall

Description:

Designed with the user in mind, these grab rails help to provide extra points of contact around the room making the bathroom more accessible. These rails are for use where additional assistance may be required.



All dimensions are approximate and subject to normal variation. Although every effort is made not to change the above product specification, Lecico reserve the right to do so without prior notification if necessary. All guarantees are against manufacturers defects. Full information on guarantees available upon request.