

# Atlas

## GRAB RAIL PACK- 600MM

### - CONCEALED FIXING - SATIN S/S



<b>Product Code</b>	<b>EDMSSPACK</b>
<b>Weight (Kg)</b>	7.8
<b>Material</b>	Stainless Steel
<b>Colour</b>	Satin S/S

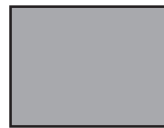
**Blue:** DOCMCONPKBL  
**White:** DOCMCONPKWH  
**Grey:** DOCMCONPKGR  
**Polished s/s:** EDMPSPACK  
**Satin s/s:** EDMSSPACK



RAL9016  
LRV - 87.67



RAL5011  
LRV - 5.52



RAL700  
LRV - 18.52



Polished s/s  
LRV - 58



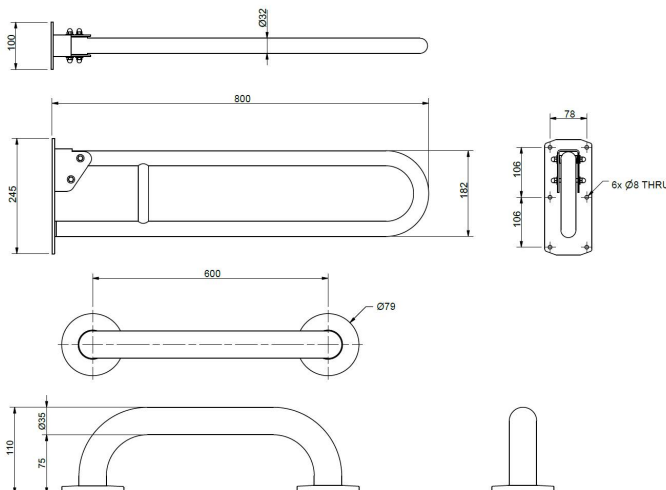
Satin s/s  
LRV - 41

#### Key features:

- 5 600mm length grab rails
- 1 800mm Hinged rail
- Concealed fixings
- Colour options provide contrast options from the wall

#### Description:

This Doc M compliant grab rail pack consists of 5 x 600mm rails and 1 x Dropdown rail. Essential for any disabled area and has been designed with a durable epoxy polyester coated finish.



All dimensions are approximate and subject to normal variation. Although every effort is made not to change the above product specification, Lecico reserve the right to do so without prior notification if necessary. All guarantees are against manufacturers defects. Full information on guarantees available upon request.