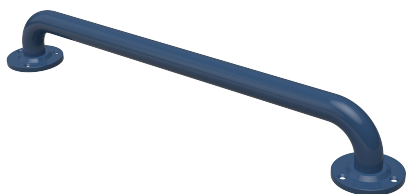


# Atlas

## GRAB RAIL - 600MM - EXPOSED FIXING - BLUE



<b>Product Code</b>	<b>EDMBGRAB</b>
<b>Weight (Kg)</b>	1kg
<b>Material</b>	Steel
<b>Colour</b>	Blue

**Blue:** EDMBGRAB  
**White:** EDMWHGRAB  
**Grey:** EDMGRGRAB



RAL5011  
LRV - 5.52



RAL7005  
LRV - 18.52



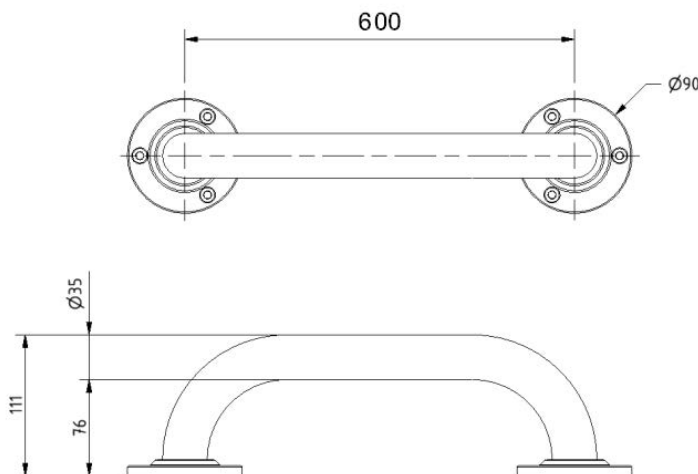
RAL9016  
LRV - 87.67

### Key features:

- 600mm length
- Exposed fixings
- Colour options provide contrast options from the wall

### Description:

Designed with the user in mind, these grab rails help to provide extra points of contact around the room making the bathroom more accessible. These rails are for use where additional assistance may be required.



All dimensions are approximate and subject to normal variation. Although every effort is made not to change the above product specification, Lecico reserve the right to do so without prior notification if necessary. All guarantees are against manufacturers defects. Full information on guarantees available upon request.