

Atlas

GRAB RAIL PACK

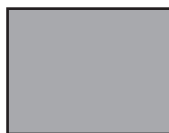


Product Code	DOCMCONPKBL
Weight (Kg)	6.5
Material	Stainless Steel
Colour Options	Blue, Grey, White

Blue: DOCMCONPKBL
White: DOCMCONPKWH
Grey: DOCMCONPKGR



RAL5011
LRV - 5.52



RAL7005
LRV - 18.52



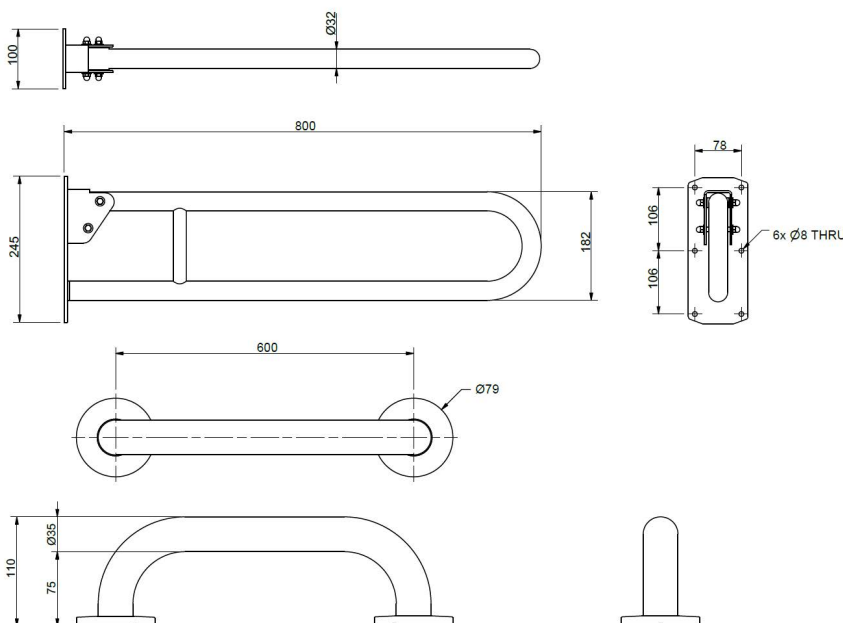
RAL9016
LRV - 87.67

Key features:

- Doc M compliant
- Stainless steel construction
- Durable epoxy polyester coated finish

Description:

This Doc M compliant grab rail pack consists of 5 x 600mm rails and 1 x Dropdown rail. Essential for any disabled area and has been designed with a durable epoxy polyester coated finish.



All dimensions are approximate and subject to normal variation. Although every effort is made not to change the above product specification, Lecico reserve the right to do so without prior notification if necessary. All guarantees are against manufacturers defects. Full information on guarantees available upon request.