

Atlas

WALL HUNG DOC M PACK - LEFT HANDED BASIN - IR FLUSH - SATIN STAINLESS STEEL RAILS



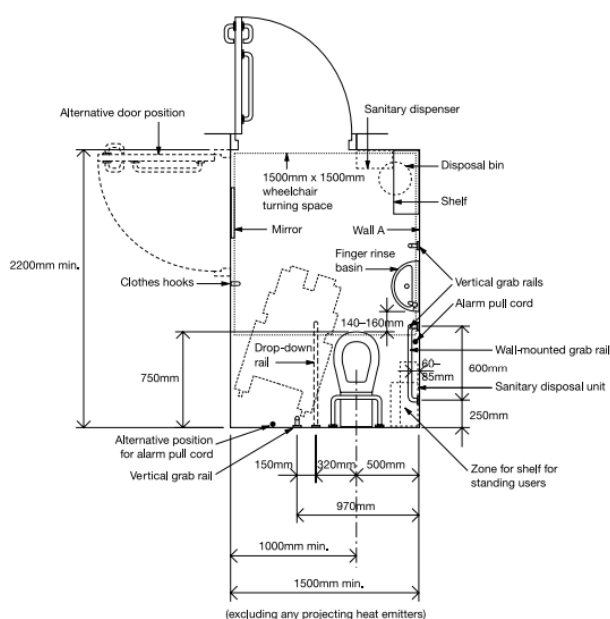
Product Code	DOCM45LHWSS
Weight (Kg)	53.54
Material	Vitreous China, Mixed Plastics and Metals
Tap Holes	1 - Left
Grab Rails	Satin Stainless Steel
Tap	TMV3 Thermo Mixer
Inlet	RH Side Inlet
Flushing Volume (L)	6ltr Single Flush
RAL Colour	7005
LRV	18.52 & 41

Included in Pack:

- 1 x Steel basin wall bracket
- 1 x Grey back rest
- 1 x Flush grated waste
- 1 x Doc M full rail pack
- 1 x 40cm left handed basin with no overflow or chainstay
- 1 x Grey ring seat
- 1 x Thermostatic TMV3 mixer tap
- 1 x 700mm projection wall hung pan
- 1 x Wall hung frame
- 1 x Chrome infrared flush plate

Description:

Document M of the Building Regulations (2004) and BS ed waste 8300-2009 provide government guidance on the layouts of an accessible wash-room in non-domestic settings. It ensures consistent levels of installation and function designed for all users. UKCA Compliant and WRAS Approved.



Note
Layout for right-hand transfer to WC

All dimensions are approximate and subject to normal variation. Although every effort is made not to change the above product specification, Lecico reserve the right to do so without prior notification if necessary. All guarantees are against manufacturers defects. Full information on guarantees available upon request.

Atlas

DOC M 700MM PROJECTION WALL HUNG PAN



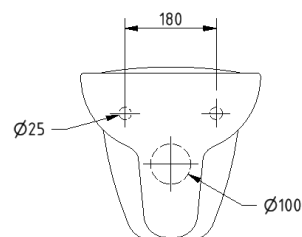
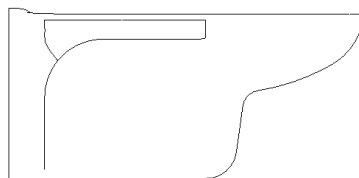
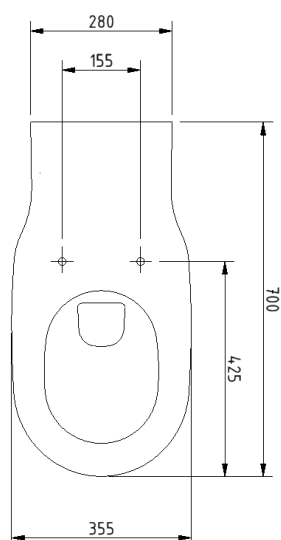
Product Code	AP-DOCM700PAN
Weight (Kg)	TBC
Material	Vitreous china
Flushing Volume (L)	6ltr
Outlet	Horizontal
Suggested frame	FRAMATPRO790
Suggested seat	STRINGGRALDOC

Key features:

- UKCA compliant
- Doc M compliant
- Contemporary design

Description:

This wall hung pan is designed to be fully compliant with DocM. When used in conjunction with other dedicated DocM products from the Lecico range and following the official DocM room layout, this combination ensures statutory compliance.



All dimensions are approximate and subject to normal variation. Although every effort is made not to change the above product specification, Lecico reserve the right to do so without prior notification if necessary. All guarantees are against manufacturers defects. Full information on guarantees available upon request.

Atlas

ANTI-LATERAL BUFFERS SEAT WITH TOP FIX HINGES - GREY - NO LID



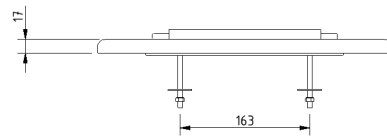
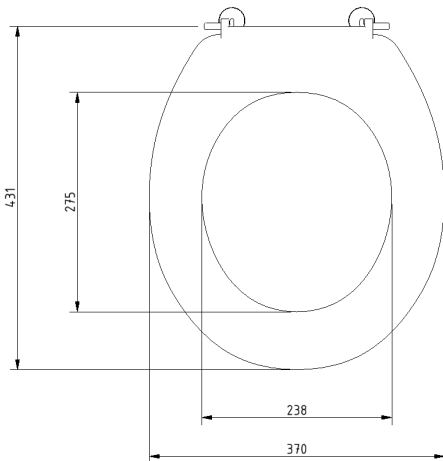
Product Code	STRINGGRALDOC
Weight (Kg)	1.3
Material	Plastic
Soft close	No
Colour	Grey
Fixing	Top Fix

Key features:

- Complies with Doc M
- Anti-bacterial, strong and durable
- Ergonomic and comfortable shape
- Stainless steel hinge
- Adjustable locating buffers

Description:

Designed with Doc M in mind this anti-lateral seat has buffers built in to reduce movement during use. The seat itself is made from high quality and durable duroplast ideal for high traffic areas.



All dimensions are approximate and subject to normal variation. Although every effort is made not to change the above product specification, Lecico reserve the right to do so without prior notification if necessary. All guarantees are against manufacturers defects. Full information on guarantees available upon request.

Atlas

DOC M BACK REST - GREY



Product Code	DBRESTGR
Weight (Kg)	2
Material	Plastic, Steel
Colour	Grey

Blue: DDBLBREST

White: DBREST

Grey: DBRESTGR



RAL5011
LRV - 5.52



RAL7005
LRV - 18.52



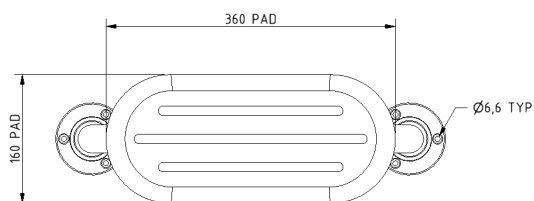
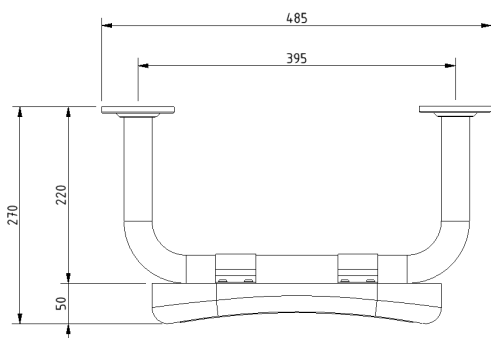
RAL9016
LRV - 87.67

Key features:

- Back rest rail
- 270mm projection
- Exposed fixings
- DocM compliant

Description:

Featuring robust steel construction and exposed fixings. Includes a durable polyurethane pad which can be wiped clean. Saddle clips are supplied for fixing the pad to the rail



All dimensions are approximate and subject to normal variation. Although every effort is made to change the above product specification, Lecico reserve the right to do so without prior notification if necessary. All guarantees are against manufacturers defects. Full information on guarantees available upon request.

Atlas

FLUSH GRATED WASTE



Product Code	DGRWASTE
Colour	Polished chrome finish
Weight (Kg)	0.2
Material	Brass

Key features:

- Waste size - 1 ¼"
- Unslotted
- Easy clean
- Easy install

Description:

A modern high-quality chrome flush grated basin waste. Its flush face allows it to be ideal for commercial and clinical uses as is designed to minimise germ build up around the waste hole.



All dimensions are approximate and subject to normal variation. Although every effort is made not to change the above product specification, Lecico reserve the right to do so without prior notification if necessary. All guarantees are against manufacturers defects. Full information on guarantees available upon request.

Atlas

PORTSMOUTH BASIN - 40CM 1TH - LEFT HANDED - NO CHAINSTAY - NO OVERFLOW



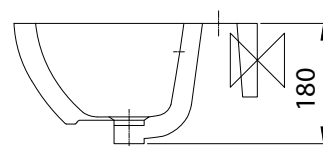
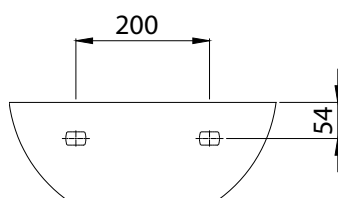
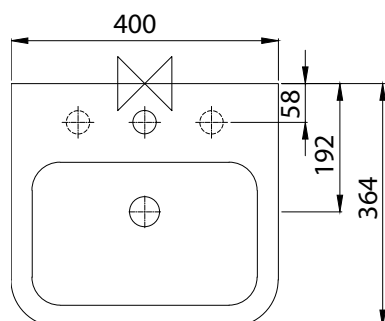
Product Code	PORT40BA1LHNN
Weight (Kg)	10
Material	Vitreous China
Tap holes	1
Fixings	Bracket - BRACK/ Fixing bolts - FBWB
Extras	Bottle trap - BOTRAPCH / Waste - TPOPUNS
Suitable Pedestals	Full ped - SENPED Half ped - MDWHSPE

Key features:

- UKCA Compliant
- No overflow
- Modern square design
- Heavy duty bracket available (BRACKPORT)

Description:

With the clean lines of these basins it represents the perfect fusion of style and uncompromising functionality. The lack of soap dishes and ridges help to prevent the build up of germs.



All dimensions are approximate and subject to normal variation. Although every effort is made not to change the above product specification, Lecico reserve the right to do so without prior notification if necessary. All guarantees are against manufacturers defects. Full information on guarantees available upon request.

Atlas

THERMOSTATIC MIXER TAP TMV3 WITH COPPER TAILS



Product Code	TPKIRTMV3
Colour	Chrome Finish
Weight (Kg)	2.2
Inlet Temperature Range	Max 85°C Min 10°C
Pre-set factory Temperature	43°C
Maximum Working Pressure	10 Bar : Static
Minimum Working Pressure	0.2 Bar : Dynamic

Flow rates

Flow rates in litres per minute, measured in laboratory test conditions

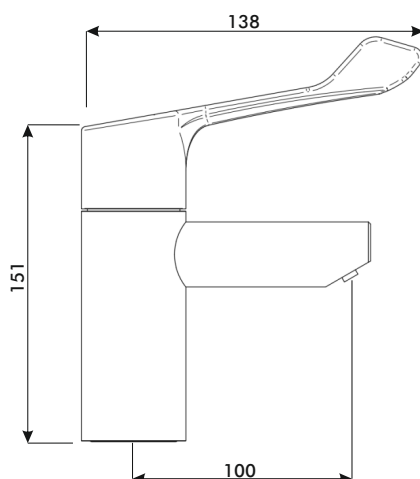
0.2 bar	7
0.5 bar	9
1.0 bar	13

Key features:

- Integral Thermostatic mixing valve
- Self draining spout
- 5 year guarantee*
- Copper inlet tails

Description:

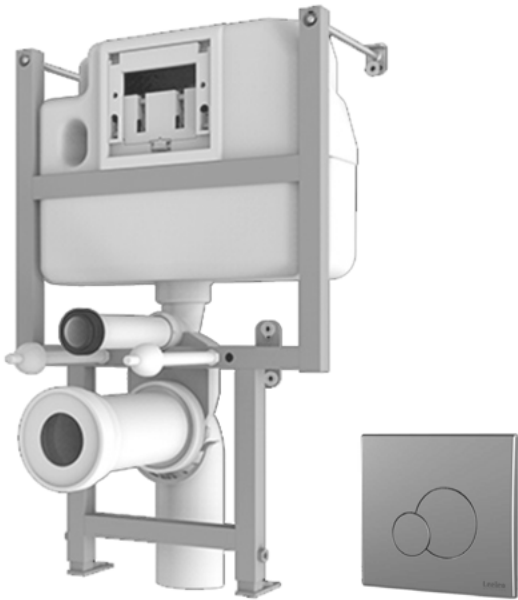
The lever operated sequential basin mixer tap is ideal for less able users. For safety, this tap can only start in the cold position. The flat lever allows the user to operate the tap, even with limited dexterity Available with long handle (TPKIRTMV3LONG).



All dimensions are approximate and subject to normal variation. Although every effort is made not to change the above product specification, Lecico reserve the right to do so without prior notification if necessary. All guarantees are against manufacturers defects. Full information on guarantees available upon request.

Atlas

ATLAS COMPACT FRAME INC CISTERN & CHROME EFFECT FLUSH PLATE



Push plate supplied

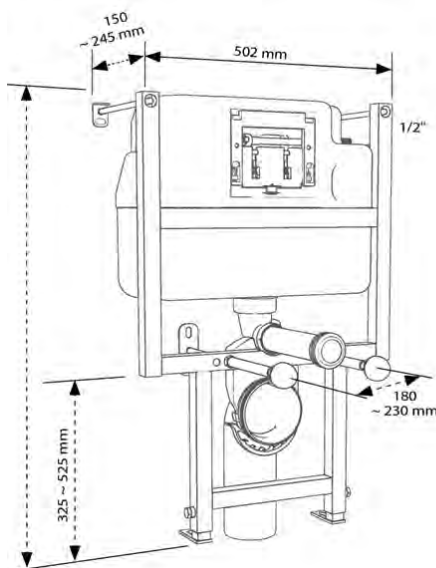
Product Code	FRAMATPRO790
Flushing Volume (Ltr)	6/4 - Adjustable down to 4/2.6
Weight (Kg)	19.4
Cistern fittings included	Yes
Pre-installed/Bagged	Pre-installed
Material	Mixed Metal & Plastics
Flushing Mechanism	Dual Flush Push Plate
Inlet	RH Side Inlet
Access	Front

Key features:

- Strong and sturdy design
- Delayed fill inlet valve
- Can also be fitted under a window

Description:

This compact wall mounting frame including cistern will work with any wall hung WC. Packed with features despite having a smaller footprint, it is ideal for use in today's modern bathroom or restroom. Dual flush 6/4 litres factory pre-set, adjustable to 4/2.6 litres. Matt chrome effect push plate included.



1= 150 ~ 245mm
 2= 16~ 100mm
 4= 0~185mm
 (if 3= 400=> 4= 185mm max*)
 (if 3= 480=> 4= 105mm max*)

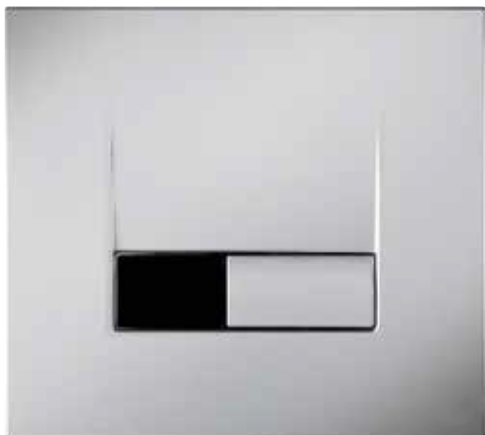
*When the distance between the fixing axle and the WC seat is 75mm



All dimensions are approximate and subject to normal variation. Although every effort is made not to change the above product specification, Lecico reserve the right to do so without prior notification if necessary. All guarantees are against manufacturers defects. Full information on guarantees available upon request.

Atlas

INFRARED CHROME FLUSH PLATE INC VALVE



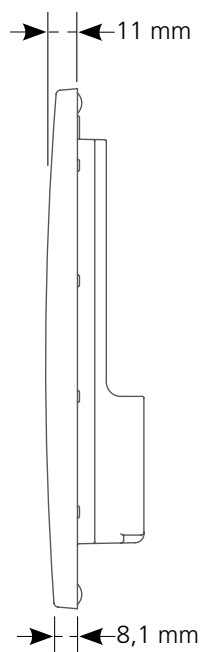
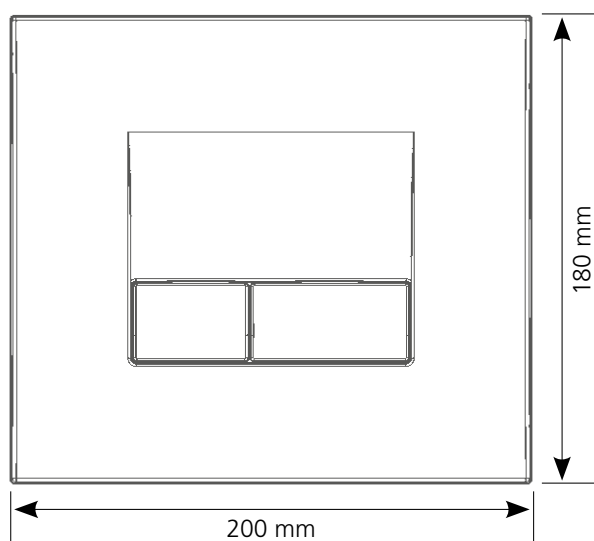
Product Code	FPLATEIRCH
Colour	Matt chrome
Weight (Kg)	1.8
Cistern fittings included	No
Flushing Mechanism	Infrared

Key features:

- Automatic pan flushing
- Vandal resistant
- Modern design

Description:

Suitable for use with concealed cistern frames



All dimensions are approximate and subject to normal variation. Although every effort is made not to change the above product specification, Lecico reserve the right to do so without prior notification if necessary. All guarantees are against manufacturers defects. Full information on guarantees available upon request.

Atlas

GRAB RAIL PACK - 600MM EXPOSED FIXING - SATIN STAINLESS STEEL



Product Code	EDMSSPACK
Weight (Kg)	7.8
Material	Steel
Colour	Satin Stainless Steel

Grey: EDMGRPACK
Polished S/S: EDMPSSPACK
Blue: EDMBLPACK
White: EDMWHPACK



RAL9016
LRV - 87.67

*Grey finish shown.



RAL5011
LRV - 5.52



RAL7005
LRV - 18.52



Polished s/s
LRV - 58



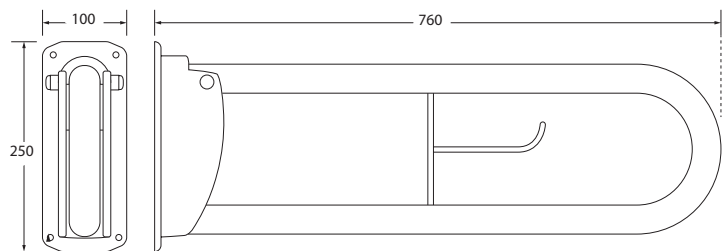
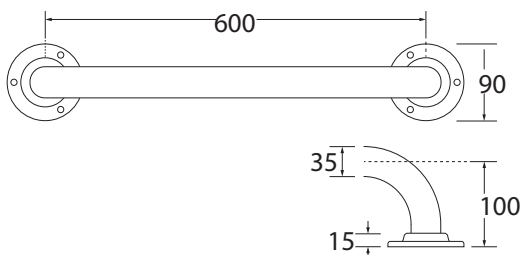
Satin s/s
LRV - 41

Key features:

- 5 x 600mm length grab rails
- 1 x 800mm Hinged rail
- Exposed fixings
- Colour options provide contrast options from the wall

Description:

Designed with the user in mind, these grab rails help to provide extra points of contact around the room making the bathroom more accessible. These rails are for use where additional assistance may be required.



All dimensions are approximate and subject to normal variation. Although every effort is made not to change the above product specification, Lecico reserve the right to do so without prior notification if necessary. All guarantees are against manufacturers defects. Full information on guarantees available upon request.