

Atlas

GRAB RAIL - 450MM STAINLESS STEEL - CONCEALED FIXING - GREY



Product Code	DGRAIL45CONSSGR
Weight (Kg)	1
Material	Stainless steel
Colour	Grey

Blue: DGRAIL45CONSSDB

White: DGRAIL45CONSSWH

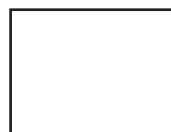
Grey: DGRAIL45CONSSGR



RAL5011
LRV - 5.52



RAL7005
LRV - 18.52



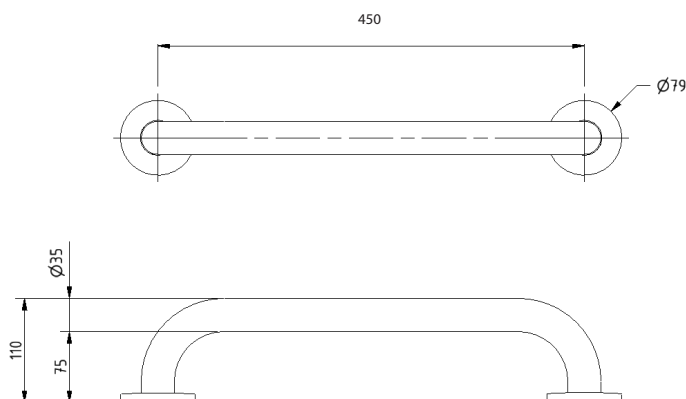
RAL9016
LRV - 87.67

Key features:

- Non-corrosive grade 304 stainless steel construction
- 450mm length
- Concealed fixings

Description:

Designed with the user in mind, these grab rails with concealed fixings help to provide extra points of contact around the room making the bathroom more accessible. These rails are for use where additional assistance may be required.



All dimensions are approximate and subject to normal variation. Although every effort is made to change the above product specification, Lecico reserve the right to do so without prior notification if necessary. All guarantees are against manufacturers defects. Full information on guarantees available upon request.

Lecico
bathrooms
a great deal more