

# Atlas

## CONCEALED PNEUMATIC CISTERN AG (CISTERN ONLY)



Flush plate and push button available:



FPLATEPNEUPC



BTWBUTPNEUPC

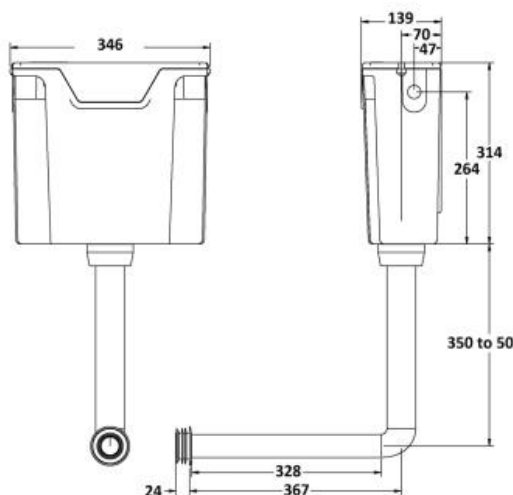
<b>Product Code</b>	<b>BTWPNEUMCIAG2</b>
<b>Flushing Volume (Ltr)</b>	6/4L & 4.5/3
<b>Weight (Kg)</b>	3
<b>Cistern fittings included</b>	Yes
<b>Pre-installed/Bagged</b>	Pre-installed
<b>Material</b>	Mixed Plastics
<b>Flushing Mechanism</b>	Dual Flush
<b>Inlet</b>	Side / Bottom (Swivel Elbow included)
<b>Access</b>	Top

### Key features:

- UKCA Compliant
- Pneumatic operation
- Made from recyclable materials
- Side entry or bottom
- 1/2" Brass shank
- Water saving delayed fill valve

### Description:

Featuring a dual flush valve and side entry air gap fill valve. This cistern ensures robust, water-saving performance and easy maintenance. Preassembled for quick installation. Swivel Elbow included for bottom fill conversion if needed.



All dimensions are approximate and subject to normal variation. Although every effort is made not to change the above product specification, Lecico reserve the right to do so without prior notification if necessary. All guarantees are against manufacturers defects. Full information on guarantees available upon request.