

Atlas

CONCEALED PNEUMATIC CISTERN AG WITH FLUSH BUTTON



Product Code	BTWPNEUMCHAG3
Flushing Volume (Ltr)	6/4L & 4.5/3
Weight (Kg)	3
Cistern fittings included	Yes
Pre-installed/Bagged	Pre-installed
Material	Mixed Plastics
Flushing Mechanism	Dual Flush
Inlet	Side / Bottom (Swivel Elbow included)
Access	Top

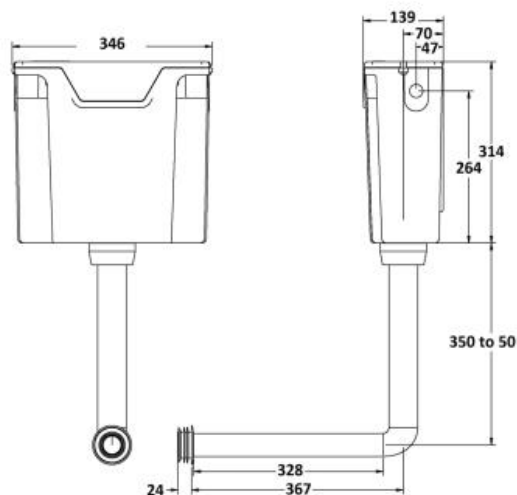
Key features:

- UKCA Compliant
- Pneumatic operation
- Made from recyclable materials
- Side entry or bottom
- 1/2" Brass shank
- Water saving delayed fill valve

Description:

Recommended for use with Zara and Layla furniture.

Featuring a dual flush valve and side entry air gap fill valve. This cistern ensures robust, water-saving performance and easy maintenance. Preassembled for quick installation. Swivel Elbow included for bottom fill conversion if needed.



All dimensions are approximate and subject to normal variation. Although every effort is made not to change the above product specification, Lecico reserve the right to do so without prior notification if necessary. All guarantees are against manufacturers defects. Full information on guarantees available upon request.