

Atlas

CONCEALED PNEUMATIC CISTERN AG WITH FLUSH PLATE



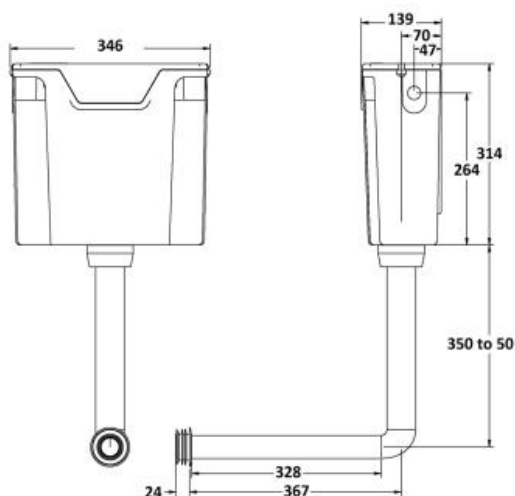
Product Code	BTWPNEUMCHAG2
Flushing Volume (Ltr)	6/4L & 4.5/3
Weight (Kg)	3
Cistern fittings included	Yes
Pre-installed/Bagged	Pre-installed
Material	Mixed Plastics
Flushing Mechanism	Dual Flush
Inlet	Side
Access	Top

Key features:

- UKCA Compliant
- Pneumatic operation
- Made from recyclable materials

Description:

Recommended for use behind a wall. Featuring a dual flush valve and side entry air gap fill valve. This cistern ensures robust, water-saving performance and easy maintenance. Preassembled for quick installation.



All dimensions are approximate and subject to normal variation. Although every effort is made to change the above product specification, Lecico reserve the right to do so without prior notification if necessary. All guarantees are against manufacturers defects. Full information on guarantees available upon request.